

OVERBOARD GLOBE VALVE NODULAR IRON STRAIGHT WITH SPRING DIN PN 16

Материал nodular iron EN-JS1025; DIN
GGG40.3
Налягане PN 10-16
Размер DN 15 - 200

APPLICATIONS

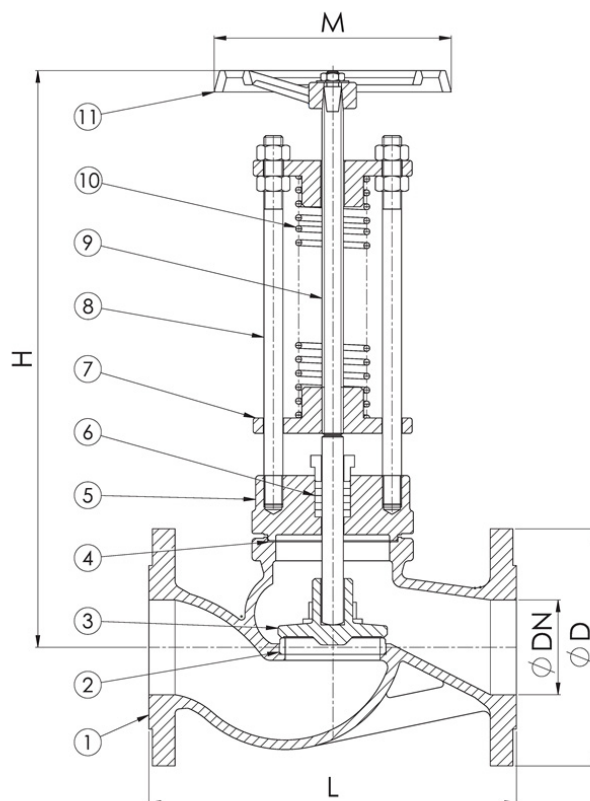
Overboard valve is a spring loaded globe valve used mainly for discharge of water. Keeps the system pressurized and minimizes water line use valve with SDNR disc. Metal sealing. Rising stem.

MEDIA

"Seawater, freshwater"

VARIANTS AND ADVANTAGES

Body pattern - Straight / Angle
SDNR - Screw down non-return valve



No.	Parts	Material
1	Body	Ductile iron EN-JS1025 (GGG40.3)
2	Seat	Bronze CC491K (RG5)
3	Disc / DN 15-65	Bronze CC491K (RG5)
3	Disc / DN 80-300	Ductile iron EN-JS1025 (GGG40.3)
4	Bonnet gasket	Graphite
5	Bonnet	Ductile iron EN-JS1025 (GGG40.3)
6	Gland packing	Graphite
7	Bridge	Ductile iron EN-JS1025 (GGG40.3)
8	Columns	Stainless steel 1.4021 (AISI420)
9	Stem	Special brass CW710R (SoMs59)
10	Spring	Spring steel SH
11	Handwheel	Cast iron EN-JL1040 (GG25)

OVERBOARD GLOBE VALVE NODULAR IRON STRAIGHT WITH SPRING DIN PN 16

Материал nodular iron EN-JS1025; DIN
GGG40.3
Налягане PN 10-16
Размер DN 15 - 200

Specifications	
Standart:	DIN
Flange standard:	EN 1092-2
Face to face standard:	EN558-Series 1
Bonnet connection:	Bolted
Execution:	Straight
Connection type:	Flanged
Operation:	Handwheel
Actuation:	Multiturn
DN15-125 / Tmax at 10 Bars:	180 °C
DN15-125 / Tmax at 16 Bars:	120 °C
DN150-200 / Tmax at 6 Bars:	180 °C
DN150-200 / Tmax at 10 Bars:	120 °C

Dn	Pressure rating	Connection	L	D	H	M	Weight (kg)
15	PN 16	PN 16	130	95	251	120	3
20	PN 16	PN 16	150	105	251	120	4
25	PN 16	PN 16	160	115	265	140	4.5
32	PN 16	PN 16	180	140	280	140	6
40	PN 16	PN 16	200	150	350	160	8
50	PN 16	PN 16	230	165	373	160	11
65	PN 16	PN 16	290	185	400	180	15
80	PN 16	PN 16	310	200	490	200	21
100	PN 16	PN 16	350	220	522	225	28
125	PN 16	PN 16	400	250	618	250	58
150	PN 10	PN 10	480	285	750	300	85
200	PN 10	PN 10	600	340	810	400	142