

PRESOSTATE

Материал PVC / brass / stainless steel

Налягане (1.0 - 60) Bar

Размер G1/4" - 1/2"

APPLICATIONS

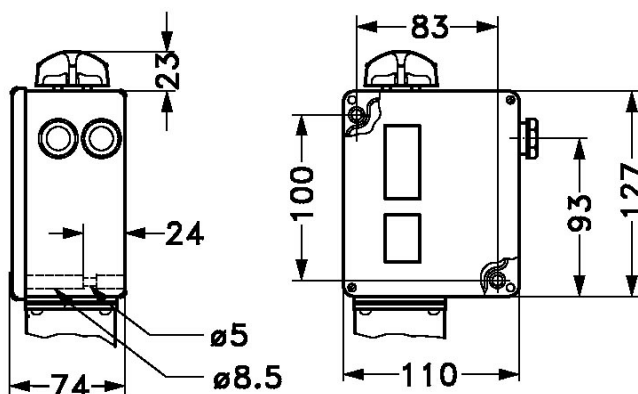
Pressure switch for regulation, alarm and surveillance

Range of applications: Oil, air, gas, water, etc.

Tube connection: BSP threads

VARIANTS

According to dimensional table



No.	Part	Material
1	Body	PVC box
2	Internals	Carbon steel
		Brass / Copper

Specifications

Standart:	Din
Ambient temp. [°C] [Max]:	70 °C
Ambient temp. [°C] [Min]:	-10 °C
Max. Working Press. [bar]:	0,4 Bar
Net weight	0.88 Kg
Reg. range:	Acc. model table

Models

Dn	Type	Pressure range	Ip
3/8"	RT 113	0-3,0 Bars	66
3/8"	RT 112	0,1-1,1 Bars	66
3/8"	RT 200	0,2-6,0 Bars	66
3/8"	RT 116	1,0-10,0 Bars	66
3/8"	RT 5	4,0-17,0 Bars	66