

# PRESOSTATE FOR SHIPBUILDING

Материал PVC / brass / stainless steel

Налягане (0.0 - 17) Bar

Размер G1/4" - 1/2"

## APPLICATIONS

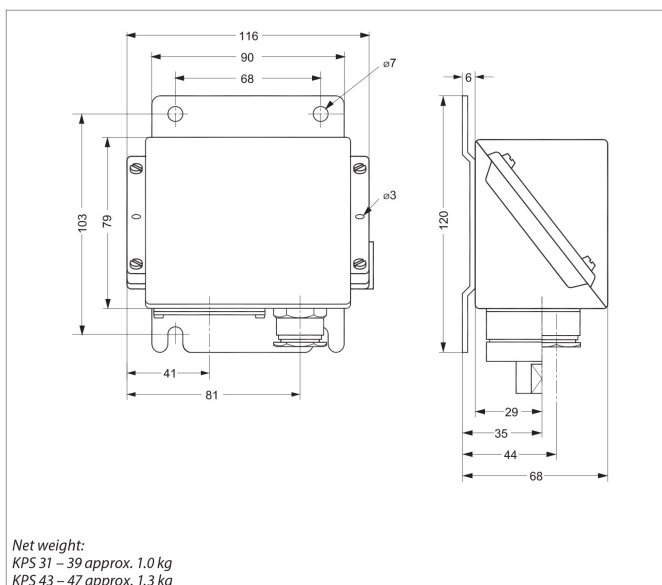
KPS 43-45-47 Pressure switches.

In KPS series special attention has been given to meeting important demands for high level of enclosure, a robust, compact construction and resistance to shock and vibration.

The KPS range covers most outdoor as well as indoor application requirements, and are suitable for use in alarm and regulation systems in factories, diesel plants, compressors, powerstations and on board the ships.

## VARIANTS

According to dimensional table



No.	Part	Material
1	Body	PVC box
2	Internals	Carbon steel
		Brass / Copper

Specifications	
Standart:	Din
Ambient temp. [°C] [Max]:	70 °C
Ambient temp. [°C] [Min]:	-10 °C
Max. Working Pressure [bar]:	0,4 Bar
Net weight	0.88 Kg
Regulating range:	Acc. model table

Models:			
Dn	Type	Pressure range	Ip
1/4"	KPS 43	1,0-10,0 Bars	67
1/4"	KPS 45	4,0-40,0 Bars	67
1/4"	KPS 47	6,0-60,0 Bars	67