

PRESOSTATE FOR SHIPBUILDING WITH PROTECTED CAPILLARITY TUBE

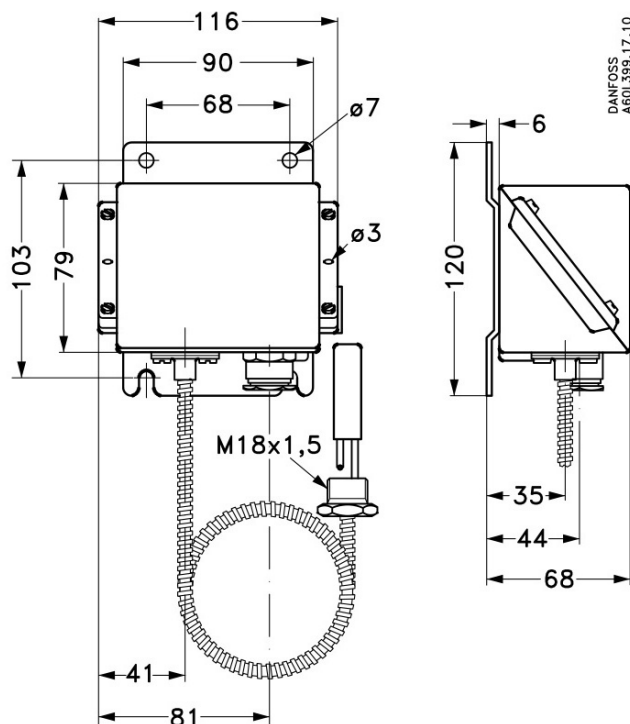
Материал PVC / brass / stainless steel
 Налягане (50.0 - 150) °C
 Размер G1/2"

APPLICATIONS

KPS Temperature switches.
 In KPS thermostats series special attention has been given to meeting important demands for a high level of enclosure, a robust, compact construction and resistance to shock and vibration. Available with all relevant land and marine approvals.

VARIANTS

According to dimensional table



No.	Part	Material
1	Body	PVC box
2	Internals	Carbon steel
		Brass / Copper
3	Capillary tube	Armored capillary tube

Specifications	
Standart:	Din
Ambient temp. [°C] [Max]:	70 °C
Ambient temp. [°C] [Min]:	-10 °C
Max. Working Pressure [bar]:	0,4 Bar
Net weight	1,40 Kg
Regulating range:	Acc. model table

**PRESOSTATE FOR SHIPBUILDING WITH
PROTECTED CAPILLARITY TUBE**

Материал PVC / brass / stainless steel
 Налягане (50.0 - 150) °C
 Размер G1/2"

Models			
Dn	Type	Temperature range	Ip
G 1/2"	KPS 79	50,0-100,0 °C	67
G 1/2"	KPS 81	60,0-150,0 °C	67