

QUICK CLOSING VALVE NODULAR IRON ANGLE FLANGED DIN PN16

Материал nodular iron EN-JS1025; DIN
GGG40.3
Налягане PN 16
Размер DN-50-150

APPLICATIONS

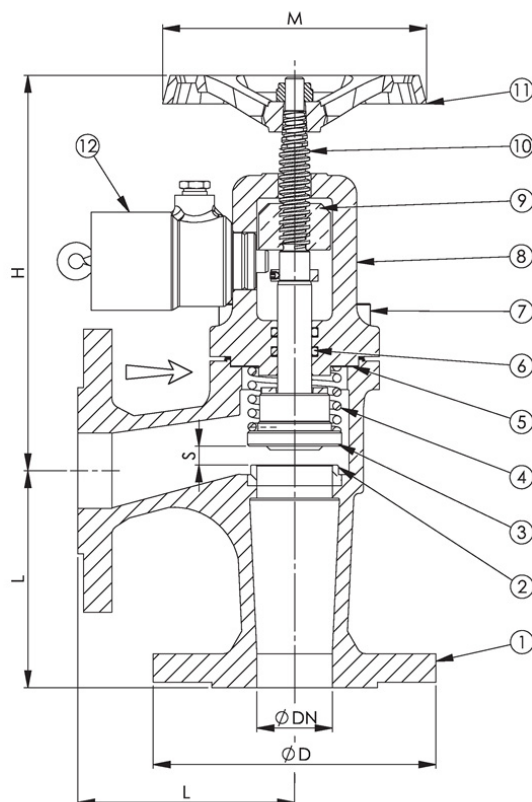
Quick closing valve is most often used in fuel related systems where there is a need to shut off the flow instantly. Universal release "cylinder for mechanical, hydraulic or pneumatic closing. " Integrated fire release safety. "As per SOLAS Ch. 11-2/Reg. 4/2.2.3.4 requirements, installed on tanks" containing inflammable liquids to instantly shut off all flow in the event of a fire.

VARIANTS

Limit switch for indication of position.

MEDIA

"Fuels, Oils, Agresive fluids"



No.	Part	Material
1	Body	Ductile iron EN-JS1030 (GGG40)
2	Seat ring	Stainless steel 1.4301 (AISI304)
3	Disc	Stainless steel 1.4301 (AISI304)
4	Spring, release unit	Spring steel SH (1084 ASTM A71 3)
5	Gasket	NBR bonded aramid
6	O-ring	FPM/FKM
7	Screw MC6S	8.8 FZB
8	Release cylinder	Brass CW614N (Ms58)
9	Setting nut	Brass CW617N (Ms58)
10	Bonnet	Ductile iron EN-JS1030 (GGG40)
11	Stem	Stainless steel 1.4301 (AISI304)
12	Handwheel	Cast iron EN-JL1040 (GG25)

QUICK CLOSING VALVE NODULAR IRON ANGLE FLANGED DIN PN16

Материал nodular iron EN-JS1025; DIN
GGG40.3
Налягане PN 16
Размер DN-50-150

Specifications	
Standart:	ISO 7006-2
Flange standard:	EN 1092-3
Face to face standard:	EN 558, series 1
Bonnet connection:	Bolted
Execution:	Straight
Connection type:	Flanged
Operation:	Handwheel, Hydraulic, Pneumatic
Actuation:	Multiturn
Tmax 120 °C Bars:	16 Bars
Tmax 180 °C Bars:	10 Bars

Dn	Pressure rating	Connection	L	D	H	S	M	Weight (kg)
40	PN 16	PN 16	115	150	205	10	140	9.9
50	PN 16	PN 16	125	165	204	12.5	140	14
65	PN 16	PN 16	145	185	233	16.5	140	19
80	PN 16	PN 16	155	200	252	20	160	26
100	PN 16	PN 16	175	220	278	25	160	41
125	PN 16	PN 16	200	250	295	32	200	47
150	PN 16	PN 16	225	285	335	37.5	200	63