

# QUICK CLOSING VALVE NODULAR IRON STRAIGHT FLANGED DIN PN16

Материал nodular iron EN-JS1025; DIN  
GGG40.3  
Налягане PN 16  
Размер DN-50-150

## APPLICATIONS

Quick closing valve is most often used in fuel related systems where there is a need to shut off the flow instantly. Universal release cylinder for mechanical, hydraulic or pneumatic closing.

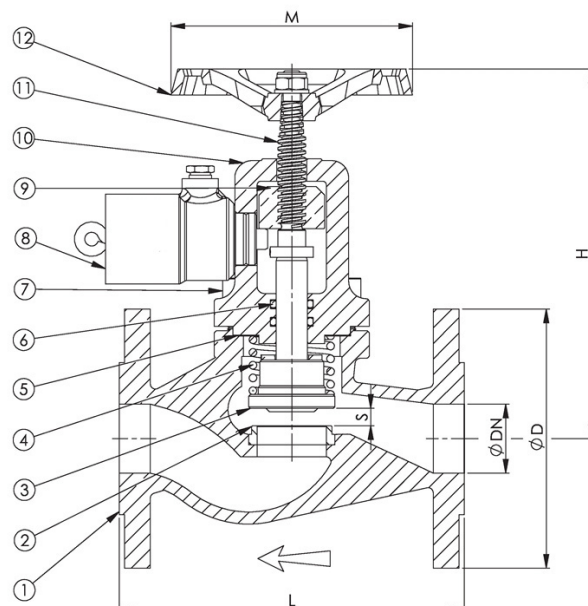
Integrated fire release safety. As per SOLAS Ch. 11-2/Reg. 4/2.2.3.4 requirements, installed on tanks containing inflammable liquids to instantly shut off all flow in the event of a fire.

## VARIANTS

Limit switch for indication of position.

## MEDIA

"Fuels, Oils, Agresive fluids"



No.	Part	Material
1	Body	Ductile iron EN-JS1030 (GGG40)
2	Seat ring	Stainless steel 1.4301 (AISI304)
3	Disc	Stainless steel 1.4301 (AISI304)
4	Spring, release unit	Spring steel SH (1084 ASTM A71 3)
5	Gasket	NBR bonded aramid
6	O-ring	FPM/FKM
7	Screw MC6S	8.8 FZB
8	Release cylinder	Brass CW614N (Ms58)
9	Setting nut	Brass CW617N (Ms58)
10	Bonnet	Ductile iron EN-JS1030 (GGG40)
11	Stem	Stainless steel 1.4301 (AISI304)
12	Handwheel	Cast iron EN-JL1040 (GG25)

## Specifications

Standart:	ISO 7006-2
Flange standard:	EN 1092-3

# QUICK CLOSING VALVE NODULAR IRON STRAIGHT FLANGED DIN PN16

Материал nodular iron EN-JS1025; DIN  
GGG40.3  
Налягане PN 16  
Размер DN-50-150

Specifications	
Face to face standard:	EN 558, series 1
Bonnet connection:	Bolted
Execution:	Straight
Connection type:	Flanged
Operation:	Handwheel, Hydraulic,
	Pneumatic
Actuation:	Multiturn
Tmax 120 °C Bars:	16 Bars
Tmax 180 °C Bars:	10 Bars

Dn	Pressure rating	Connection	L	D	H	S	M	Weight (kg)
50	PN 16	PN 16	230	165	224	12.5	140	14
65	PN 16	PN 16	290	185	253	16.5	140	19
80	PN 16	PN 16	310	200	253	20	160	26
100	PN 16	PN 16	350	220	298	25	160	46
125	PN 16	PN 16	400	250	338	32	200	54
150	PN 16	PN 16	480	285	410	37.5	200	72