

SAFETY VALVE BRASS PROPORTIONAL THREADED HEROSE 06205

Материал brass CW614N B 249 UNS C38500
 Налягане PN 16-25
 Размер DN 1/2" - 1 1/4"

DESCRIPTION

Automatic pressure releasing valve which opens proportionally to the pressure increase. Constant balance between opening pressure and spring force gives small flow and minimal fluid loss on discharge. Fully open at set pressure +10%. When ordering a safety valve please let us know your requirements regarding capacity, media, temperature, inlet dimension and type of system.

Standard safety valve with FPM valve seal, open bonnet, with discharge holes, with lifting device
 Inlet: male thread type G (BSPP) acc. to ISO 228/1.

APPLICATION

Provided as safety device for protection against excessive pressure in stationary and moveable gas cylinders and pressure vessels. Approved for air and similar gases.

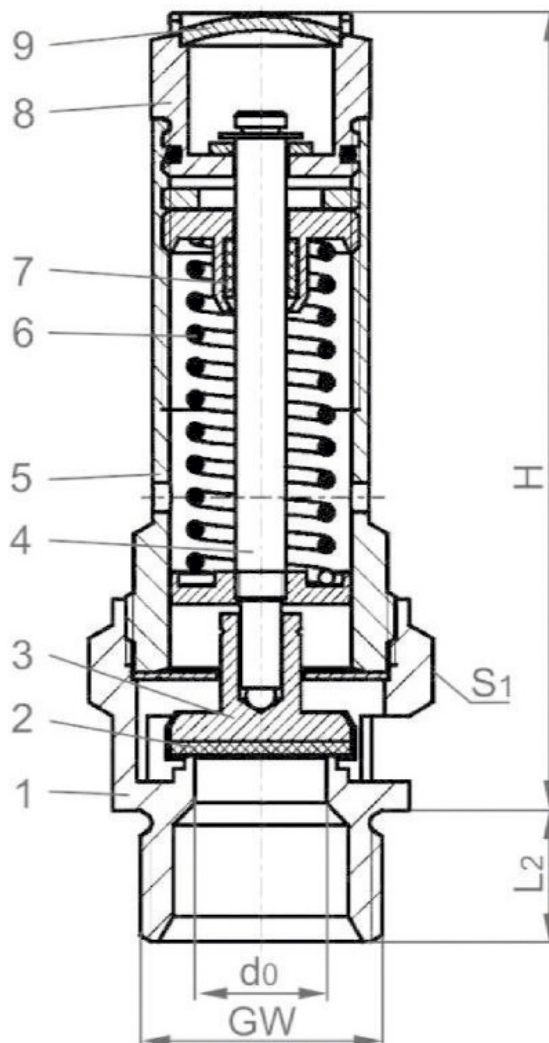
Working temperature: -20°C / -4°F (253K) up to +160°C / +320°F (433K), size d07 suitable for horizontal installation.

MEDIA

Liquid, Gases, Steam

OPTIONS

- On request only:
- stainless steel spring - material 1.4571
- external parts nickel plated



No.	Part	Material
1	Body	CW614N B 249 UNS C38500
2	Valve seal	FPM (Viton)
3	Disc	CW614N B 249 UNS C38500
4	Stem	CW614N B 249 UNS C38500
5	Bonnet	CW614N B 249 UNS C38500
6	Spring	1.1200 A 227
7	Stem guide	PTFE
8	Lifting device	CW614N B 249 UNS C38500
9	Closing cap	CW507L B 36 UNS C2680

SAFETY VALVE BRASS PROPORTIONAL THREADED HEROSE 06205

Материал brass CW614N B 249 UNS C38500

Налягане PN 16-25

Размер DN 1/2" - 1 1/4"

Specifications	
Bonnet connection:	Screwed
Execution:	Angled
Connection type:	Threaded female
Operation:	Automatic / Manual with lever
Working temperature range	
-20°C / -4°F (253K) up to +160°C / +320°F (433K)	

Set pressure/temperature range	
Bar	Temp °C
0,2 - 20 barg	-60 °C / + 220 °C

Dn	Orifice	Dim.code	Set pressure	Height	Lenght	Spanner	Weight	Flow capacity at 3.0 bar
Gw	Do	.x.	Bar	H	L2	S1	Ca. kg	aw
1/4	7	200	0.4-43	60	10	21	0.07	0.6
3/8	7	300	0.4-43	60	10	21	0.07	0.6
1/2	7	704	0.4-43	67	12	24	0.17	0.6
1/2	12	400	0.2-22	78	12	27	0.17	0.47
3/4	15	600	0.2-16	92	15	32	0.27	0.63
1	18	1000	0.2-18	110	18	41	0.48	0.63
1-1/4	20	1200	0.2-16	125	20	48	0.75	0.63

Discharge capacity								
P (set.)	Gw	1/4	3/8	1/2	1/2	3/4	1	1-1/4
Bar (g)	Do (mm):	7.0	7.0	7.0	12.0	15.0	18.0	20.0
	Ao (mm²):	38.48	38.48	38.48	113.1	176.7	254.5	314.2
	Media:	Air m³/h at 0 °c and 1013.25 mbar						
0.2		-	-	-	30	60	86	106
0.4		19	19	19	42	84	121	150
0.6		23	23	23	52	104	150	186
0.8		28	28	28	61	124	178	220
1.0		32	32	32	70	142	205	253
2.0		50	50	50	113	239	345	426

SAFETY VALVE BRASS PROPORTIONAL THREADED HEROSE 06205

Материал brass CW614N B 249 UNS C38500

Налягане PN 16-25

Размер DN 1/2" - 1 1/4"

Discharge capacity								
P (set.).	Gw	1/4	3/8	1/2	1/2	3/4	1	1-1/4
Bar (g)	Do (mm):	7.0	7.0	7.0	12.0	15.0	18.0	20.0
	Ao (mm ²):	38.48	38.48	38.48	113.1	176.7	254.5	314.2
	Media:	Air m ³ /h at 0 °c and 1013.25 mbar						
3.0		67	67	67	156	327	472	582
4.0		85	85	85	196	411	592	731
5.0		102	102	102	236	496	714	881
6.0		120	120	120	276	579	834	1030
7.0		137	137	137	316	663	955	1179
8.0		155	155	155	357	749	1079	1332
9.0		172	172	172	398	833	1200	1482
10.0		190	190	190	439	919	1324	1634
11.0		206	206	206	475	994	1432	1768
12.0		225	225	225	519	1087	1566	1934
14.0		260	260	260	599	1256	1809	2233
16.0		295	295	295	680	1424	2051	2532
18.0		330	330	330	760	-	2294	-
20.0		368	368	368	849	-	-	-
22.0		404	404	404	930	-	-	-
25.0		457	457	457	-	-	-	-
27.0		492	492	492	-	-	-	-
30.0		550	550	550	-	-	-	-
32.0		585	585	585				
34.0		621	621	621				
36.0		657	657	657				
38.0		692	692	692				
40.0		734	734	734				
42.0		770	770	770				
43.0		788	788	788				

Discharge capacity is measured at fully open valve.