

SAFETY VALVE BRONZE PROPORTIONAL THREADED HEROSE 06217

Материал brass CW614N B 249 UNS C38500

Налягане PN 25

Размер DN 12 - 2

DESCRIPTION

Provided as safety device for protection against excessive pressure in stationary and moveable gas cylinders and pressure vessels. Approved for air and similar gases.

Working temperature: -40°C / -40°F (233K) up to +200°C / +392°F (473K), suitable for horizontal installation"

OPERATION

Automatic pressure releasing valve which opens proportionally to the pressure increase.

Constant balance between opening pressure and spring force gives small flow and minimal fluid loss on discharge.

SPECIFICATIONS

Bonnet connection:

Execution:

Connection type:

Operation:

MEDIA

Gases, Air

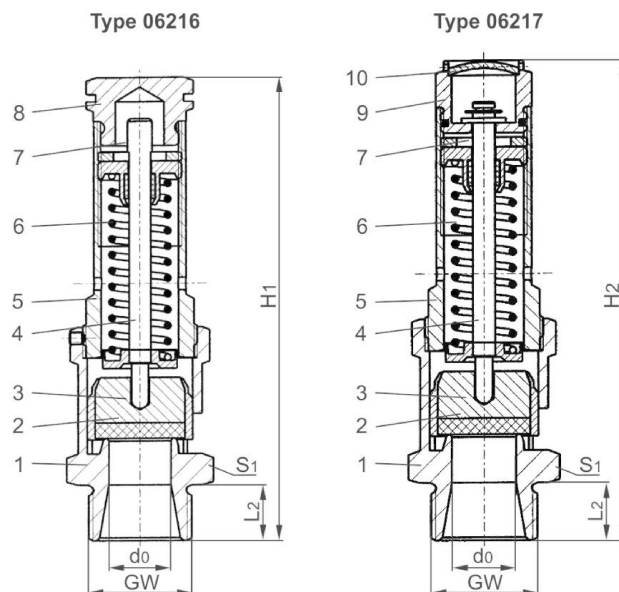
CONSTRUCTION

Standard safety valve FPM valve seal for fluids, open bonnet, with discharge holes Inlet: male thread type G (BSPP) acc. to ISO 228/1

OPTIONS

Available options - on request only:

- discharge holes with protection cap
- stainless steel spring - material 1.4571
- external parts nickel plated



SAFETY VALVE BRONZE PROPORTIONAL THREADED HEROSE 06217

Материал brass CW614N B 249 UNS C38500

Налягане PN 25

Размер DN 12 - 2

No.	Part	Material	Specifications	
1	Body	CW617N B 283 UNS C37700	Bonnet connection	Screwed
2	Valve seal	FPM (Viton - GLT)	Execution	Angle
3	Disc	CW614N B 455 UNS C38500	Connection type	Threaded male
4	Stem	CW614N B 455 UNS C38500	Operation	Automatic
5	Bonnet	CW614N B 455 UNS C38500		
6	Spring	1.1200 / ASTM - A 227		
7	Stem guide	PTFE		
8	Cap	CW614N B 455 UNS C38500		
9	Lifting device	CW614N B 455 UNS C38500		
10	Closing Cap	CW507L / ASTM - B 36 UNS C26800		

Dn	Orifice	Dim.code	Setup range with fpm.	Connection size				Spanner	Weight	Discharge capacity coefficient above 3 bar	Funcion slope angle above 3 bar
				Ga	H ₁	H ₂	L ₂				
1/2"	12	0400	0.2-25	1/2"	103	107	14	27	0.25	0.83	2.59
3/4"	15	0600	0.2-30	3/4"	122	126	16	32	0.41	0.83	4.1
1"	18	1000	0.2-30	1"	149	150	18	41	0.72	0.73	6.79
1 1/4"	20	1200	0.2-22	1 1/4"	169	172	20	50	1.23	0.71	10.15
1 1/2"	24	1400	0.2-16	1 1/2"	198	200	22	58	1.73	0.69	16.5
2"	28	2000	0.2-12	2"	224	228	25	70	3.09	0.66	24.8

Discharge capacity							
P set	Gw:	1/2	3/4	1	1-1/4	1-1/2	2
Psig	D _o (mm):	0.472	0.591	0.787	0.984	1.260	1.575
	A _o (mm ²):	0.175	0.274	0.487	0.761	1.247	1.948
	Media:	Air in m ³ /h					
0.2		49	78	128	194	317	436
0.5		83	133	211	309	518	712
1.0		124	196	308	459	776	1085
2.0		201	317	495	752	1215	1760

SAFETY VALVE BRONZE PROPORTIONAL THREADED HEROSE 06217

Материал brass CW614N B 249 UNS C38500

Налягане PN 25

Размер DN 12 - 2

Discharge capacity							
P set	Gw:	1/2	3/4	1	1-1/4	1-1/2	2
Psig	Do (mm):	0.472	0.591	0.787	0.984	1.260	1.575
	Ao (mm ²):	0.175	0.274	0.487	0.761	1.247	1.948
	Media:	Air in m ³ /h					
3.0		276	432	675	1026	1634	2442
4.0		347	542	847	1288	2051	3065
5.0		418	654	1022	1553	2473	3696
6.0		489	764	1194	1815	2890	4320
7.0		560	874	1367	2077	3308	4944
8.0		632	988	1544	2347	3737	5585
9.0		703	1098	1717	2610	4156	6211
10.0		775	1212	1894	2879	4584	6851
11.0		846	1322	2068	3142	5003	7478
12.0		917	1433	2241	3406	5423	8105
14.0		1059	1655	2588	3933	6263	-
16.0		1201	1877	2935	4460	7102	-
18.0		1343	2099	3282	4988	-	-
20.0		1500	2343	3664	5567	-	-
22.0		1643	2567	4014	6100	-	-
25.0		1858	2903	4539	-	-	-
26.0		-	3015	4714	-	-	-
28.0		-	3239	5064	-	-	-
30.0		-	3496	5466	-	-	-

Discharge capacity							
P set	Gw:	1/2	3/4	1	1-1/4	1-1/2	2
Psig	Do (inch):	0.472	0.591	0.787	0.984	1.260	1.575
	Ao (in ²):	0.175	0.274	0.487	0.761	1.247	1.948
	Media:	Air in scfm m ³ /h at 0 °c and 1013.25 mbar					
15		78	124	194	290	490	687
30		127	195	315	479	773	1123
50		191	285	466	710	1130	1688
60		221	330	540	822	1308	1955

SAFETY VALVE BRONZE PROPORTIONAL THREADED HEROSE 06217

Материал brass CW614N B 249 UNS C38500

Налягане PN 25

Размер DN 12 - 2

Discharge capacity							
P set	Gw:	1/2	3/4	1	1-1/4	1-1/2	2
Psig	D _o (inch):	0.472	0.591	0.787	0.984	1.260	1.575
	A _o (in ²):	0.175	0.274	0.487	0.761	1.247	1.948
	Media:	Air in scfm m ³ /h at 0 °c and 1013.25 mbar					
70		251	375	614	933	1486	2222
80		281	421	688	1045	1665	2488
90		312	466	762	1157	1843	2755
100		341	511	835	1269	2022	3022
120		402	601	981	1492	2376	3551
130		432	646	1055	1604	2554	3818
140		462	691	1129	1716	2733	4084
150		492	736	1203	1828	2911	4351
160		522	781	1277	1940	3090	4618
174		565	845	1380	2098	3340	4992
180		583	872	1424	2164	3446	-
190		613	917	1498	2276	3624	-
200		643	962	1572	2388	3803	-
220		703	1052	1719	2613	4160	-
232		739	1106	1807	2747	4374	-
240		764	1142	1866	2836	-	-
260		824	1232	2014	3060	-	-
280		884	1323	2161	3284	-	-
300		945	1413	2308	3509	-	-
319		1002	1498	2448	3721	-	-
340		1065	1593	2603	-	-	-
363		1134	1697	2772	-	-	-
380		-	1774	2897	-	-	-
400		-	1864	3045	-	-	-
420		-	1954	3192	-	-	-
435		-	2022	3302	-	-	-

Discharge capacity is measured at fully open valve.