

SAFETY VALVE BRONZE PROPORTIONAL THREADED HEROSE 06505

Материал brass CW614N B 249 UNS C38500

Налягане PN 25

Размер DN 12 - 2

TECHNICAL DESCRIPTION

Used as a safety device for excessive pressure in gas cylinders and pressure vessels. Standard safety valve with FPM saddle seal, closed lid with unloading windows and forced opening device. Male Thread Type G (BSPP) according to ISO 228/1

PRINCIPLE OF ACTION

Automatic safety valve opening proportional to the pressure rise. The constant balance between opening pressure and closing spring response provides a minimum flow, or minimal loss of fluid when the valve is actuated.

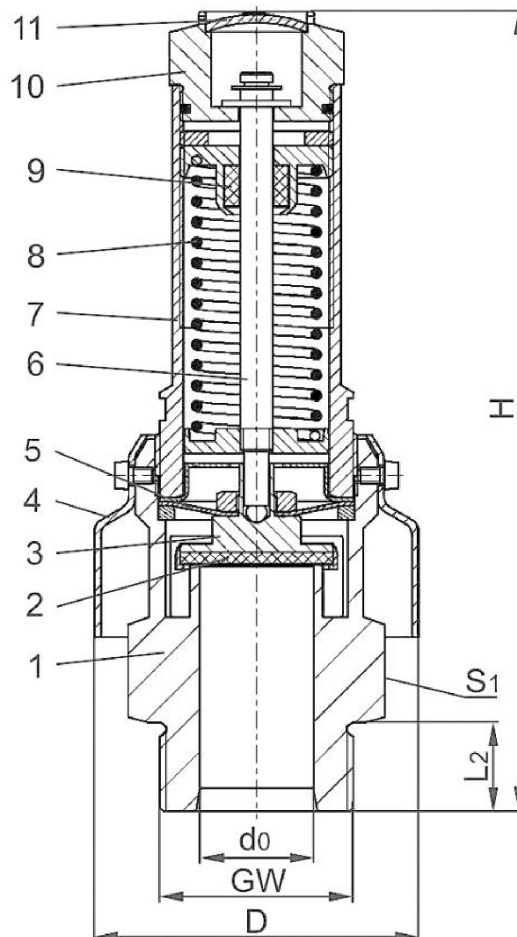
WORKING FLUID / ENVIRONMENT

Liquids, granulates and powders

OPTIONS

Possible options on request:

- nickel-plated outer parts



No.	Part	Material
1	Body	CW614N B 249 UNS C38500
2	Valve seal	FPM (Viton - GLT)
3	Disc	CW614N B 455 UNS C38500
4	Stem	1.4301 A 240 Grade 304
5	Protection cap	Silicon
6	Diaphragm	CW614N B 249 UNS C38500
7	Stem	CW614N B 249 UNS C38500
8	Bonnet	1.4571 A 313 Grade 316 Ti
9	Spring	PTFE
10	Lifting device	CW614N B 249 UNS C38500
11	Closing Cap	CW507L B 36 UNS C26800

SAFETY VALVE BRONZE PROPORTIONAL THREADED HEROSE 06505

Материал brass CW614N B 249 UNS C38500

Налягане PN 25

Размер DN 12 - 2

Specifications	
Bonnet connection	Screwed
Execution	Angle
Connection type	Threaded male
Operation	Automatic

Dn	Orifice	Dim. code	Setup range			Protection cap dia.	Spanner	Weight kg	Discharge coeff. at 3 bar	Discharge coeff. at 3.5 bar	Discharge coeff. at 4.5 bar
			Bar	H	L ₂						
1"	24	1000	0.5-0.6	194	18	80	55	1.75	0.62		0.57
1 1/4"	28	2812	0.5-4.5	198	22	80	55	1.85	0.58		
1 1/2"	28	2814	0.5-4.5	198	22	80	55	1.9	0.58		
1 1/4"	31	3112	0.5-0.6	191	22	80	55	2	0.68	0.65	
1 1/2"	31	3114	0.5-0.6	191	22	80	55	2.3	0.68	0.65	
2"	48	2000	0.5-3.5	232	25	115	85	4.5	0.52		

Discharge capacity							
P set	Gw:	1	1-1/4	1-1/2	1-1/4	1-1/2	2
Bar (g)	D _o (mm):	24.0	28.0	28.0	31.0	31.0	48.0
	A _o (mm ²):	452.4	615.8	615.8	754.8	754.8	1810.0
	Media:	Air in m ³ /h at 0 °c and 1013.25 mbar					
0.5		237	297	297	435	435	835
0.6		268	326	326	482	482	949
0.7		299	354	354	535	535	1063
0.8		329	392	392	579	579	1153
0.9		353	422	422	631	631	1240
1.0		372	449	449	673	673	1250
1.2		414	508	508	759	759	1390
1.4		456	578	578	848	848	1531
1.6		504	639	639	941	941	1675
1.8		553	703	703	1031	1031	1863
2.0		604	768	768	1123	1123	2059
2.2		648	825	825	1200	1200	2243

**SAFETY VALVE BRONZE PROPORTIONAL
THREADED HEROSE 06505**

Материал brass CW614N B 249 UNS C38500

Налягане PN 25

Размер DN 12 - 2

Discharge capacity							
P set	Gw:	1	1-1/4	1-1/2	1-1/4	1-1/2	2
Bar (g)	D _o (mm):	24.0	28.0	28.0	31.0	31.0	48.0
	A _o (mm ²):	452.4	615.8	615.8	754.8	754.8	1810.0
	Media:	Air in m ³ /h at 0 °c and 1013.25 mbar					
2.4		694	883	883	1277	1277	2431
2.6		740	942	942	1354	1354	2546
2.8		782	995	995	1431	1431	2657
3.0		825	1051	1051	1511	1511	2770
3.2		868	1105	1105	1588	1588	3024
3.4		910	1158	1158	1665	1665	3170
3.5		931	1185	1185	1628	1628	3244
3.6		952	1212	1212	1665	1665	-
3.8		994	1266	1266	1739	1739	-
4.0		1036	1319	1319	1812	1812	-
4.2		1078	1373	1373	1886	1886	-
4.4		1120	1427	1427	1960	1960	-
4.5		1049	1453	1453	1997	1997	-
4.6		1069	-	-	2034	2034	-
4.8		1107	-	-	2107	2107	-
5.0		1148	-	-	2185	2185	-
5.2		1187	-	-	2259	2259	-
5.4		1226	-	-	2333	2333	-
5.6		1265	-	-	2407	2407	-
5.8		1304	-	-	2481	2481	-
6.0		1343	-	-	2555	2555	-

Discharge capacity is measured at fully open valve.