

SAFETY VALVE CAST IRON THREADED FULL-LIFT DIN

Материал cast iron EN-JL1040; DIN GG25

Налягане PN 16

Размер DN 20 - 25

APPLICATIONS

Steam and gases; saturated steam boilers, over heaters and reheaters, gas storage tanks, compressed air treatment and storage installations. Liquids; thermal fluid boilers, installations with large mass flows and chemical reactions with exothermal processes.

OPERATION

Automatic pressure releasing valve which opens instantly and totally to sudden overpressure. Maximum discharge immediately at defined set pressure. Fully open at set pressure +5%.

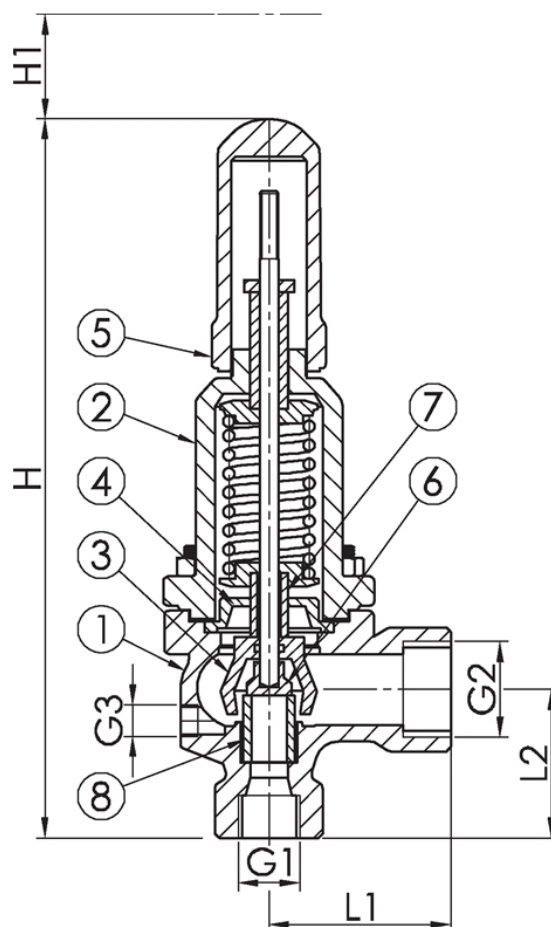
When ordering a safety valve please let us know your requirements regarding capacity, media, temperature, inlet dimension and type of system."

MEDIA

Steam. Thermal oil. Fuel oil, lubricating oil and flammable hydraulic oil. Cargo oil. Air. Gas. Non-flammable hydraulic fluid. Boiler feedwater, condensate. Seawater and freshwater.

OPTIONS

Open cap with lever



No.	Part	Material
1	Body	Cast Iron EN-JL1040
2	Closed bell	Ductile iron EN-JS1030 (GGG40)
3.1	Elevator DN25x40 to 200x300	Ductile iron EN-JS1030 (GGG40)
3.2	Elevator DN 20x32	Stainless steel 1.4408 (AISI316)
4	Lead	Stainless steel 1.4028 (AISI420)
5	Hood	Ductile iron EN-JS1030 (GGG40)
6	Plug	Stainless steel 1.4028 (AISI420)
7	Separator	Stainless steel 1.4028 (AISI420)
8	Seat	Stainless steel 1.4028 (AISI420)

SAFETY VALVE CAST IRON THREADED FULL-LIFT DIN

Материал cast iron EN-JL1040; DIN GG25

Налягане PN 16

Размер DN 20 - 25

Specifications	
Building standards	DIN
Bonnet connection	Bolted
Execution	Angled
Connection type	Threaded female
Operation	Automatic

Max. working pressure (bar) at °c							
Temp: °c	120°c	200°c	250°c	300°c	350°c	400°c	450°c
Bar:	40	35	32	28	24	21	20

Dn	Pressure rating	G1xg2 (bsp)	L1	L2	H	H1	Weight (kg)
DN 20 x 32	PN 16	3/4" x 1 1/4"	80	65	320	112	4.8
DN 25 x 40	PN 16	1" x 1 1/2"	85	80	370	129	6.1