

SAFETY VALVE STAINLESS STEEL FULL-LIFT FLANGED DIN

Материал stainless steel 1.4408; AISI 316

Налягане PN 16-40

Размер DN 20 - 200

APPLICATION

Steam and gases; saturated steam boilers, over heaters and reheaters,
gas storage tanks, compressed air treatment and storage installations.

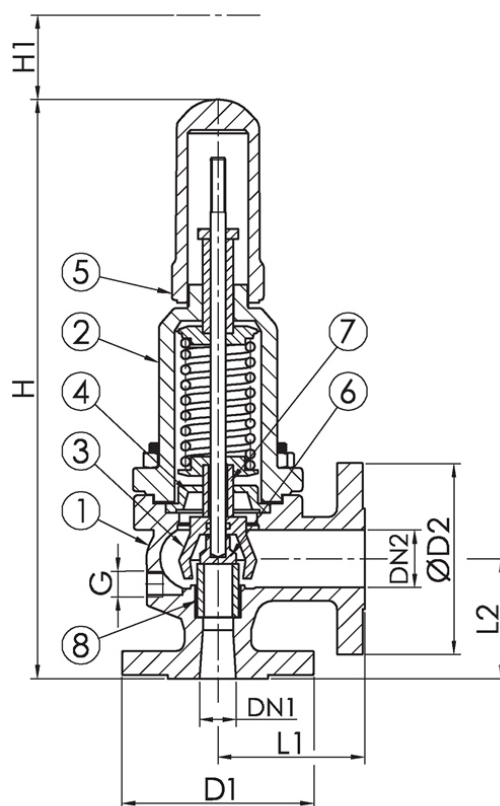
Liquids; thermal fluid boilers, installations with large mass flows
and chemical reactions with exothermal processes.

MEDIA

Steam. Thermal oil. Fuel oil, lubricating oil and flammable hydraulic oil. Cargo oil. Air. Gas. Non-flammable hydraulic fluid. Boiler feedwater, condensate. Seawater and freshwater.

OPTIONS

Lever. Gear. Actuators.



No.	Part	Material
1	Body	Stainless steel 1.4408 (AISI316)
2	Closed bell	Stainless steel 1.4408 (AISI316)
3	Elevator	Stainless steel 1.4408 (AISI316)
4	Lead	Stainless steel 1.4401 (AISI316)
5	Hood	Stainless steel 1.4408 (AISI316)
6	Plug	Stainless steel 1.4542 (AISI630)
7	Separator	Stainless steel 1.4401 (AISI316)
8	Seat	Stainless steel 1.4542 (AISI630)
8	Seat	Stainless steel 1.4028 (AISI420)

Specifications

Building standards	DIN
Flange standard	EN 1092-2

SAFETY VALVE STAINLESS STEEL FULL-LIFT FLANGED DIN

Материал stainless steel 1.4408; AISI 316

Налягане PN 16-40

Размер DN 20 - 200

Specifications	
Bonnet connection	Bolted
Execution	Angled
Connection type	Flanged

Max. working pressure (bar) at °C				
Temp °C	120°C	200°C	300°C	400°C
Bar	40	34	32	29

Flange inlet	Flange outlet	G	D1	D2	L1	L2	H	H1	Weight (kg)
DN 20 / PN 40	DN 32 / PN 40	1/4"	105	140	85	95	350	112	8.1
DN 25 / PN 40	DN 40 / PN 40	1/4"	115	150	95	105	395	129	10
DN 32 / PN 40	DN 50 / PN 40	1/4"	140	165	100	110	415	129	14
DN 40 / PN 40	DN 65 / PN 40	1/4"	150	185	115	130	500	148	20
DN 50 / PN 40	DN 80 / PN 40	1/4"	165	200	125	145	555	148	27
DN 65 / PN 40	DN 100 / PN 16	3/8"	185	220	140	150	660	191	39
DN 80 / PN 40	DN 125 / PN 16	3/8"	200	250	155	170	710	191	56
DN 100 / PN 16	DN 150 / PN 16	3/8"	235	285	175	180	810	191	83
DN 125 / PN 16	DN 200 / PN 16	1/2"	270	340	215	220	858	191	103
DN 150 / PN 16	DN 250 / PN 10	1/2"	300	395	225	245	1029	247	149
DN 200 / PN 16	DN 300 / PN 10	1/2"	360	445	265	290	1252	331	244