

SAFETY VALVE STAINLESS STEEL FULL-LIFT THREADED DIN

Материал stainless steel 1.4408; AISI 316

Налягане PN 16

Размер DN 20 - 25

DESCRIPTION

Automatic pressure releasing valve which opens instantly and totally to sudden overpressure. Maximum discharge immediately at defined set pressure. Fully open at set pressure +5%.

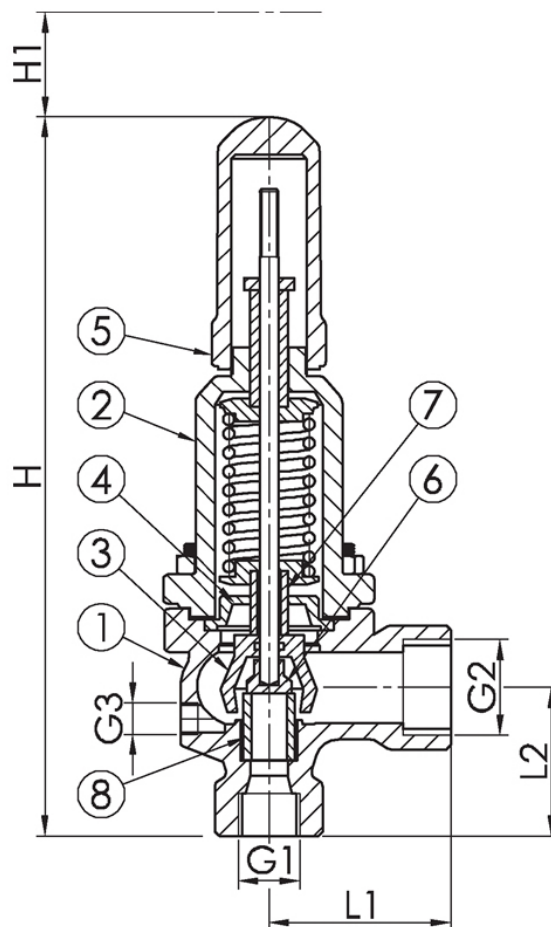
When ordering a safety valve please let us know your requirements regarding capacity, media, temperature, inlet dimension and type of system.

MEDIA

Steam and gases; saturated steam boilers, over heaters and reheaters, gas storage tanks, compressed air treatment and storage installations. Liquids; thermal fluid boilers, installations with large mass flows and chemical reactions with exothermal processes.

OPTIONS

Open cap with lever



No.	Part	Material
1	Body	Stainless steel 1.4408 (AISI316)
2	Closed bell	Stainless steel 1.4408 (AISI316)
3	Elevator	Stainless steel 1.4408 (AISI316)
4	Lead	Stainless steel 1.4401 (AISI316)
5	Hood	Stainless steel 1.4408 (AISI316)
6	Plug	Stainless steel 1.4542 (AISI630)
7	Separator	Stainless steel 1.4401 (AISI316)
8	Seat	Stainless steel 1.4542 (AISI630)
8	Seat	Stainless steel 1.4028 (AISI420)

SAFETY VALVE STAINLESS STEEL FULL-LIFT THREADED DIN

Материал stainless steel 1.4408; AISI 316

Налягане PN 16

Размер DN 20 - 25

Specifications	
Bonnet connection	Screwed
Execution	Angled
Connection type	Threaded male
	Threaded female
Operation	Automatic

Max. working pressure (bar) at °C				
Temp °C	120°C	200°C	300°C	400°C
Bar	40	34	32	29

Dn	Pressure rating	G1xg2 (bsp)	L1	L2	H	H1	Weight (kg)
DN 20 x 32	PN 16	3/4" x 1 1/4"	80	65	320	112	4.8
DN 25 x 40	PN 16	1/4"	85	80	370	129	6.1