

# SEAMLESS BUTEWELD ELBOWS DIN2605-1

Материал steel P265GH , A234WPB

Налягане Pressure:

Размер Ø 21.3 - 711.0

## APPLICATIONS

An elbow is a connecting piece with a specific bending radius used to connect two pipes of the same diameter. A distinction is made between different bending radius (Long Radius, Short Radius,  $R=3D$ ,  $R=5D$ ) and segments ( $45^\circ$ ,  $90^\circ$ ,  $180^\circ$ ).

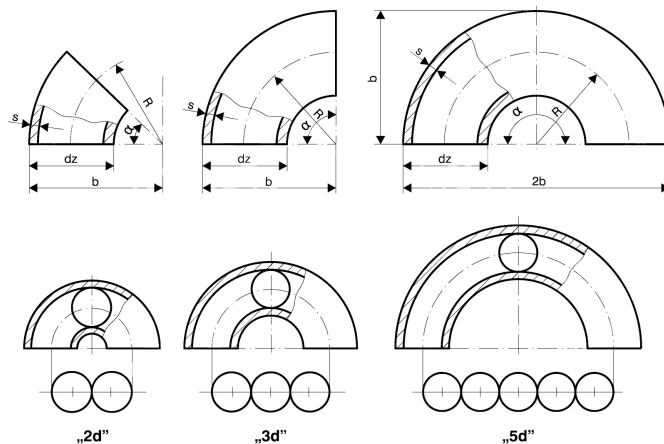
## VARIANTS

Other materials:

- Ferritic
- Austenitic steels

Standards:

- ASME B16.9
- EN 10253-2



No.	Part	Material
1	Pipe elbow	Carbon steel P265GH / A234WPB

Specifications	
Standart:	DIN 2605-1/Type A

Dn	Dz	S	Size "b" and "r"			Weight 90° ( kg )		
			2d	3d	5d	2d	3d	5d
15	21.3		R=7,5	R=28	R=42.5			
			b=28	b=38	b=53			
		2				0.03	0.04	0.07
		2.3				0.03	0.05	0.07
		2.6				0.04	0.05	0.08
		2.9				0.04	0.06	0.09
		3.2				0.05	0.07	0.1
		3.6				0.05	0.08	0.12
20	26.9		R=25	R=29	R=57.5			
			b=39	b=43	b=71			
		2.3				0,06	0.06	0.13
		2.6				0.06	0,07	0.14

# SEAMLESS BUTEWELD ELBOWS DIN2605-1

Материал steel P265GH , A234WPB

Налягане Pressure:

Размер Ø 21.3 - 711.0

Dn	Dz	S	Size "b" and "r"			Weight 90° ( kg )		
			2d	3d	5d	2d	3d	5d
		2.9				0.06	0.08	0.16
		3.2				0,07	0.09	0.17
		3.6				0.07	0.1	0.19
		4				0.08	0.1	0.21
		4.5				0,09	0.11	0.24
25	33.7		R=25	R=38	R=72.5			
			b=42	b=56	b=90			
		2.6				0,10	0.12	0.23
		2.9				0.11	0.13	0.25
		3.2				0,12	0.15	0.28
		3.6				0.13	0.16	0.31
		4				0.14	0.18	0.34
		4.5				0.14	0.2	0.37
		5				0.15	0.21	0.41
32	38		R=32.5	R=45	R=82.5			
			b=52	b=64	b=101			
		2.6				0.12	0.16	0.3
		2.9				0.13	0.18	0.33
		3.2				0.14	0.2	0.36
		3.6				0.16	0.22	0.4
		4				0.17	0.24	0.44
	42,4		R=32	R=48	R=92.5			
			b=53	b=69	b=114			
		2.6				0.15	0.19	0.37
		2.9				0.17	0.21	0.41
		3.2				0.18	0.23	0.45
		3.6				0.21	0.26	0.5
		4				0.23	0.29	0.55
		4.5				3.25	0.32	0.6
		5				0.27	0.35	0.7
40	44.5		R=40	R=51	R=97.5			
			b=62	b=73	b=130			

## SEAMLESS BUTEWELD ELBOWS DIN2605-1

Материал steel P265GH , A234WPB

Налягане Pressure:

Размер Ø 21.3 - 711.0

Dn	Dz	S	Size "b" and "r"			Weight 90° ( kg )		
			2d	3d	5d	2d	3d	5d
		2.6				0.17	0.22	0.41
		2.9				0.19	0.24	0.46
		3.2				0.21	0.26	0.5
		3.6				0.23	0.29	0.56
		4				0.25	0.32	0.61
	48.3		R=38	R=57	R=107,5			
			b=62	b=81	b=132			
		2.6				0.2	0.26	0.5
		2.9				0.22	0.29	0.55
		3.2				0.24	0.32	0.60
		3.6				0.27	0.36	0.67
		4				0.29	0.39	0.74
		4.5				0.33	0.44	0.82
		5				0.37	1M8	0.9
50	57,0		R=525	R=72	R=127.5			
			b=81	b=100	b=156			
		2.9				0.32	0.44	0.78
		3.2				0.35	0.48	0.85
		3.6				0.39	0.54	0.95
		4				0.43	0.59	1.05
		4.5				0.48	0.66	1.17
		5				0.53	0.73	1.29
		5.6				0.59	0.81	1.42
		6.3				0.65	0.89	1.58
	60.3		R=51	R=76	R=135			
			b=81	b=106	b=165			
		2.9				0.36	0.49	0.87
		3.2				0.39	0.54	0.96
		3.6				0.44	0.60	1.07
		4				0.48	0.67	1.17
		4.5				0.54	0.74	1.32
		5				0.59	0.82	1.45

# SEAMLESS BUTEWELD ELBOWS DIN2605-1

Материал steel P265GH , A234WPB

Налягане Pressure:

Размер Ø 21.3 - 711.0

Dn	Dz	S	Size "b" and "r"			Weight 90° ( kg )		
			2d	3d	5d	2d	3d	5d
		5.6				0.66	0.9	1.6
		6.3				0.73	1	1.78
		7.1				0.78	1.11	1.9
65	76.1		R=63	R=95	R=175			
			b=102	b=133	b=213			
		2.9				0.58	0.78	1.44
		3.2				0.64	0.86	1.58
		3.6				0.71	0.96	1.77
		4				0.78	1.06	1.96
		4.5				0.88	1.19	2.19
		5				0.97	1.31	2.41
		5.6				1.07	1.46	2.68
		6.3				1.19	1.62	2.98
		7.1				1.33	1.81	3.32
		8				1.48	2.01	3.7
80	88.9		R=76	R=114	R=205			
			b=121	b=159	b=250			
		3.2				0.88	1.22	2.18
		3.6				0.96	1.36	2.44
		4				1.09	1.51	2.7
		4.5				1.22	1.69	3.02
		5				1.34	1.86	3.33
		5.6				1.49	2.07	3.71
		6.3				1.67	2.31	4.13
		7.1				1.86	2.58	4.61
		8				2.07	2.87	5.14
		10				2.52	3.5	6.27
100	108		R=100	R=142.5	R=252.5			
			b=154	b=196	b=306			
		3.6				1.46	2.08	3.68
		4				1.61	2.3	4.07
		4.5				1.81	2.57	4.56

# SEAMLESS BUTEWELD ELBOWS DIN2605-1

Материал steel P265GH , A234WPB

Налягане Pressure:

Размер Ø 21.3 - 711.0

Dn	Dz	S	Size "b" and "r"			Weight 90° ( kg )		
			2d	3d	5d	2d	3d	5d
		5				2	2.85	5.04
		5.6				2.22	3.17	5.61
		6.3					3.54	6.27
		7.1				2.78	3.96	7,01
		8				3.1	4.42	7.83
		10				3.4	3.5	9.59
	114.3		R=102	R=152	R=270			
			b=159	b=210	b=327			
		3.6				1.62	2.36	4.17
		4				1.8	2.61	4.62
		4.5				2.01	2.92	5.17
		5				2.23	3.23	5.72
		5.6				2.48	3.6	6.37
		6.3				2.77	4.02	7,12
		7.1				3.1	4.5	7.96
		8				3.46	5.03	8.9
		10				4.24	6.16	10.9
125	133		R=125	R=181	R=321.5			
			b=192	b=247	b=379			
		4				2.5	3.62	6.25
		4.5				2.8	4.06	7,00
		5				3.1	4.49	7.75
		5.6				3.46	5	8.64
		6.3				3.87	5.6	9.66
		7.1				4,33	6.27	10.8
		8				4.84	7.01	12.1
	139.7		R=127	R=190	R=330			
			b=197	b=260	b=400			
		4				2.79	4.01	6.94
		4.5				3.13	4.49	7,78
		5				3.46	4.97	8.61
		5.6				3.86	5.54	9.6

# SEAMLESS BUTEWELD ELBOWS DIN2605-1

Материал steel P265GH , A234WPB

Налягане Pressure:

Размер Ø 21.3 - 711.0

Dn	Dz	S	Size "b" and "r"			Weight 90° ( kg )		
			2d	3d	5d	2d	3d	5d
		6.3				4,32	6.2	10.8
		7.1				4.83	6.95	12
		8				5.41	7.78	13.5
150	159		R=150	R=216	R=375			
			b=230	b=294	b=454			
		4.5				4.04	5.82	10.1
		5				4.48	6.45	11.2
		5.6				4.99	7.19	12.5
		6.3				5.59	8.05	14
		7.1				6.27	9.03	15.7
		8				7,02	10,1	17.6
		8.8				7,68	11.1	19.2
		10				8.66	12.5	21.7
		14				-	18	-
150	168.3		R=152	R=229	R=390			
			b=237	b=313	b=474			
		4.5				4.43	6.53	11.1
		5				4.9	7.23	12.3
		5.6				5.47	8.07	13.8
		6.3				6.13	9.04	15.4
		7.1				6.87	10.1	17.3
		8				7.7	11.4	19.4
		8.8				8.43	12.4	21.2
		10				9.51	14	23.9
200	219.1		R=203	R=305	R=510			
			b=313	b=415	b=620			
		6.3				10.9	15.8	26.5
		7.1				12.3	17.8	29.7
		8				13.7	20	33.4
		8.8				15.1	21.9	36.6
		10				17	24.7	41.3
		11				18.6	27,0	45.2

# SEAMLESS BUTEWELD ELBOWS DIN2605-1

Материал steel P265GH , A234WPB

Налягане Pressure:

Размер Ø 21.3 - 711.0

Dn	Dz	S	Size "b" and "r"			Weight 90° ( kg )		
			2d	3d	5d	2d	3d	5d
		12.5				21	30.5	51
		16				26.4	38.4	66
250	273.1		R=254	R=381	R=650			
			b=391	b=518	b=787			
		6.3				16.5	24,8	42.3
		7.1				18.6	27.9	47.5
		8				20.9	315	53.4
		8.8				22.9	345	58.5
		10				25.9	38.8	66.2
		11				28.4	425	72.6
		12.5				32	48.1	82
300	323.9		R=305	R=457	R=775			
			b=467	b=619	b=937			
		7.1				26.6	39.8	67.5
		8				29.9	44.7	75.9
		8.8				32.8	49,1	83.3
		10,0				37.1	55,6	94,2
		11				40,7	60.9	103
		12.5				46	68,9	117
350	355,6		R=356	R=533	R=850			
			b=533	b=711	b=1028			
		8				38,2	57,5	91,6
		8.8				42	63.1	101
		10,0				47.5	71.4	114
		11				52.1	78.3	125
		12.5				59	88.6	141
		14.2				66.7	100	160
400	406.4		R=406	R=610	R=970			
			b=610	b=813	b=1173			
		8				50.1	75.3	120
		8.8				55,1	82.6	132
		10				62.4	93.6	149

# SEAMLESS BUTEWELD ELBOWS DIN2605-1

Материал steel P265GH , A234WPB

Налягане Pressure:

Размер Ø 21.3 - 711.0

Dn	Dz	S	Size "b" and "r"			Weight 90° ( kg )		
			2d	3d	5d	2d	3d	5d
		11				68.5	103	163
		12.5				77.5	116	185
		14.2				87,7	131	209
450	457		R=457	R=686	R=1122			
			b=606	b=914	b=1351			
		8				63.3	95.5	156
		8.8				69.5	105	171
		10,0				78,8	119	194
		11				86,5	130	213
		12.5				98	148	242
		14.2				111	167	274
500	508		R=508	R=762	R=1245			
			b=762	b=1016	b=1499			
		8				78.2	118	193
		8.8				85.9	130	212
		10				97,4	147	240
		11				107	161	264
		12.5				121	183	299
		14.2				137	207	338
600	610		R=610	R=914	R=1525			
			b=915	b=1219	b=1830			
		10				142	209	348
		11				156	230	383
		12.5				176	260	434
		14.2				200	295	491
		16				224	331	552
		17.5				245	361	602
700	711		R=711	R=1067	R=1778			
			b=1067	b=1422	b=2133			
		10				190	285	475
		11				209	313	521
		12.5				237	355	592



# SEAMLESS BUTEWELD ELBOWS DIN2605-1

Материал steel P265GH , A234WPB

Налягане Pressure:

Размер Ø 21.3 - 711.0

Dn	Dz	S	Size "b" and "r"			Weight 90° ( kg )		
			2d	3d	5d	2d	3d	5d
		14.2				268	403	671
		16				302	452	754