

# SELF-CLOSING GLOBE VALVE BRONZE WITH COUNTER\_WEIGHT FOR SOUNDING PIPES DIN PN 2.5

Материал bronze CC491K; DIN RG5

Налягане PN 25

Размер DN-32-80

## APPLICATIONS

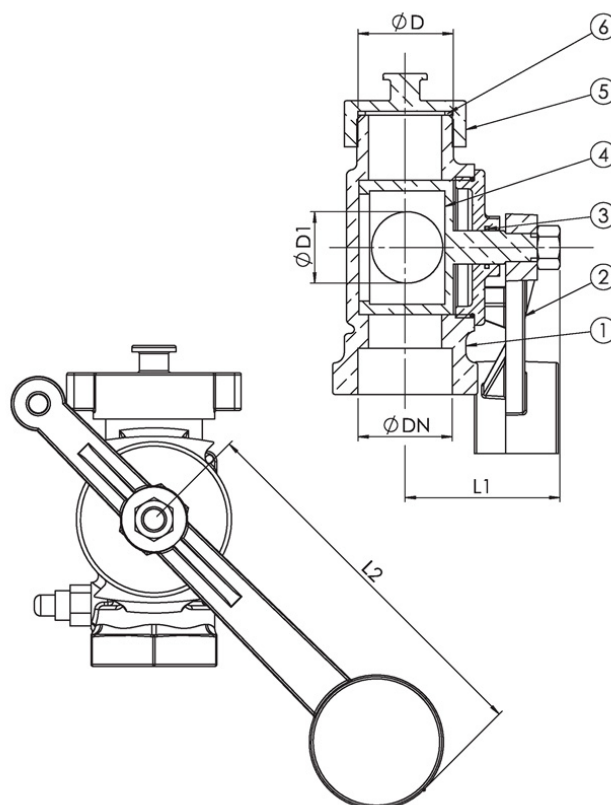
Self-closing valve for tank sounding. With vent valve.

## MEDIA

"Fuel oil, lubricating oil and flammable hydraulic oil. Cargo oil. Non-"  
"flammable hydraulic fluid. Boiler feedwater, condensate. Seawater"  
and freshwater.

## VARIANTS

Footpedal



No.	Part	Material
1	Body	Bronze CC491K (RG5)
2	Lever	Cast iron EN-JL1040 (GG25)
3	Sealing	NBR
4	Plug of cock	Bronze CC491K (RG5)
5	Cap	Bronze CC491K (RG5)
6	Sealing	NBR

## Specifications

Standart:	DIN
Bonnet connection:	Screwed
Execution:	Straight
Connection type:	Threaded female

# SELF-CLOSING GLOBE VALVE BRONZE WITH COUNTER\_WEIGHT FOR SOUNDING PIPES DIN PN 2.5

Материал bronze CC491K; DIN RG5

Налягане PN 25

Размер DN-32-80

Dn	Pressure rating	Connection (bsp)	D	D1	L1	L2	Weight (kg)
32	PN 2.5	G 1 1/4"	G 1 1/2"	35	80	175	3.8
40	PN 2.5	G 1 1/2"	G 1 1/2"	35	80	175	3.5
50	PN 2.5	G 2"	G 1 1/2"	35	80	175	4.5
65	PN 2.5	G 2 1/2"	G 1 1/2"	35	100	175	5
80	PN 2.5	G 3"	G 1 1/2"	35	100	175	6