

# SELF-CLOSING GLOBE VALVE FLANGED ANGLE WITH COUNTER\_WEIGHT

Материал nodular iron EN-JS1025; DIN  
GGG40.3  
Налягане PN 16  
Размер DN 15 - 80

## APPLICATIONS

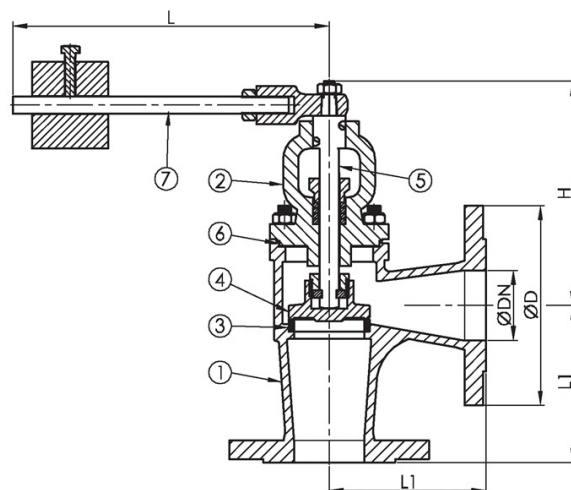
Self closing valve used in water or fuel systems.  
The valve is opened with the lever and the  
counterweight automatically closes the valve.

## MEDIA

"Fuel oil, lubricating oil and flammable hydraulic  
oil. Cargo oil. Non-flammable hydraulic fluid.  
Boiler feedwater, condensate. Seawater and  
freshwater"

## Variants

None



No.	Part	Material
1	Body	Cast iron EN-JL1040 (GG25)
2	Bonnet	Cast iron EN-JL1040 (GG25)
3	Seat	Stainless steel 1.4301 (AISI304)
4	Disc	Stainless steel 1.4021 (AISI420)
5	Stem	Stainless steel 1.4021 (AISI420)
6	Bonnet gasket, gland packing	Graphite
7	Lever and counterweight	Steel 1.0038 (St37)

## Specifications

Standart:	DIN
Flange standard:	EN 1092-2
Face to face standard:	EN 558, Series 1
Bonnet connection:	Bolted
Execution:	Angle
Connection type:	Flanged
Operation:	Self closing
Actuation:	Linear

# SELF-CLOSING GLOBE VALVE FLANGED ANGLE WITH COUNTER\_WEIGHT

Материал nodular iron EN-JS1025; DIN  
GGG40.3

Налягане PN 16

Размер DN 15 - 80

Specifications	
Tmax 120 °C Bars:	16 Bars

Dn	Pressure rating	L	D	L1	H	Weight (kg)
15	PN 16	242	95	90	153	5
20	PN 16	242	105	95	153	5.5
25	PN 16	242	115	100	153	7
32	PN 16	242	140	105	158	8
40	PN 16	292	150	115	203	13
50	PN 16	292	165	125	208	15
65	PN 16	292	185	145	208	23
80	PN 16	292	200	155	240	30
100	PN 16	292	220	175	260	40