

# SELF-CLOSING GLOBE VALVE FLANGED ANGLE WITH HANDLE DIN PN 16

Материал nodular iron EN-JS1025; DIN  
GGG40.3  
Налягане PN 16  
Размер DN 15 - 80

## APPLICATIONS

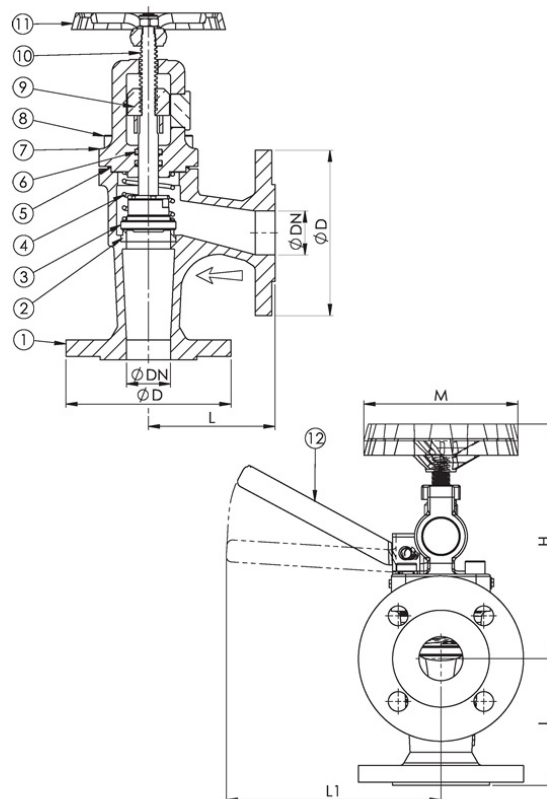
Self closing valve used in water or fuel systems where the valves are opened with the lever and closed automatically by the spring. Can be locked in closed position by the handwheel. Metal sealing.

## MEDIA

"Thermal oil. Fuel oil, lubricating oil and flammable hydraulic oil. Cargo oil. Non-flammable hydraulic fluid. Boiler feedwater, condensate. Seawater and freshwater."

## Variants

Other body materials on request - Cast steel 1.0619  
Other standards flange connections - ANSI



No.	Part	Material
1	Body	Ductile iron EN-JS1030 (GGG40)
2	Seat ring	Stainless steel 1.4301 (AISI304)
3	Disc	Stainless steel 1.4301 (AISI304)
4	Spring	Spring steel SH (1084 ASTM A713)
5	Gasket	NBR bonded aramid
6	O-ring	FPM/FKM
7	Bonnet	Ductile iron EN-JS1030 (GGG40)
8	Bolt	8.8 FZB
9	Setting nut	Brass CW617N (Ms58)
10	Stem	Stainless steel 1.4301 (AISI304)
11	Handwheel	Cast iron EN-JL1040 (GG25)
12	Lever	Stainless steel 1.4301 (AISI304)

## SELF-CLOSING GLOBE VALVE FLANGED ANGLE WITH HANDLE DIN PN 16

Материал nodular iron EN-JS1025; DIN  
GGG40.3  
Налягане PN 16  
Размер DN 15 - 80

Specifications	
Standart:	DIN
Flange standard:	ISO 7005-2
Face to face standard:	ISO 5752, basic series 8
Bonnet connection:	Bolted
Execution:	Angle
Connection type:	Flanged
Operation:	Handwheel / Selfclosing
Actuation:	Multiturn
Tmax 120 °C Bars:	16 Bars
Tmax 180 °C Bars:	10 Bars

Dn	Pressure rating	Connection	L	D	L1	H	M	Weight (kg)
15	PN 16	PN 16	90	95	166	185	120	4.3
20	PN 16	PN 16	95	105	166	185	120	4.5
25	PN 16	PN 16	100	115	168	195	120	5.6
32	PN 16	PN 16	105	140	168	194	120	7.1
40	PN 16	PN 16	115	150	201	217	140	10
50	PN 16	PN 16	125	165	204	217	140	12
65	PN 16	PN 16	145	185	278	254	140	17
80	PN 16	PN 16	155	200	285	259	160	24