

# SELF-CLOSING GLOBE VALVE FLANGED STRAIGHT WITH COUNTER\_WEIGHT DIN PN 16

Материал nodular iron EN-JS1025; DIN GGG40.3  
 Налягане PN 16  
 Размер DN 15 - 80

## APPLICATIONS

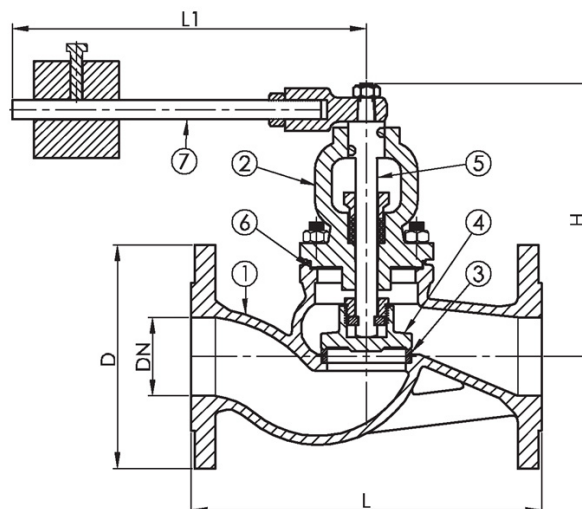
Self closing valve used in water or fuel systems. The valve is opened with the lever and the counterweight automatically closes the valve.

## MEDIA

"Fuel oil, lubricating oil and flammable hydraulic oil. Cargo oil. Non-flammable hydraulic fluid. Boiler feedwater, condensate. Seawater and freshwater"

## Variants

None



No.	Part	Material
1	Body	Cast iron EN-JL1040 (GG25)
2	Bonnet	Cast iron EN-JL1040 (GG25)
3	Seat	Stainless steel 1.4301 (AISI304)
4	Disc	Stainless steel 1.4021 (AISI420)
5	Stem	Stainless steel 1.4021 (AISI420)
6	Bonnet gasket, gland packing	Graphite
7	Lever and counterweight	Steel 1.0038 (St37)

## Specifications

Standart:	DIN
Flange standard:	EN 1092-2
Face to face standard:	EN 558, Series 1
Bonnet connection:	Bolted
Execution:	Straight
Connection type:	Flanged
Operation:	Self closing

# SELF-CLOSING GLOBE VALVE FLANGED STRAIGHT WITH COUNTER\_WEIGHT DIN PN 16

Материал nodular iron EN-JS1025; DIN  
GGG40.3  
Налягане PN 16  
Размер DN 15 - 80

Specifications	
Actuation:	Linear
Tmax 120 °C Bars:	16 Bars

Dn	Pressure rating	L	D	L1	H	Weight (kg)
15	PN 16	130	95	242	159	5
20	PN 16	150	105	242	159	6
25	PN 16	160	115	242	166	7
32	PN 16	180	140	242	166	8
40	PN 16	200	150	292	207	13
50	PN 16	230	165	292	220	15
65	PN 16	290	185	292	226	23
80	PN 16	310	200	292	267	30
100	PN 16	350	220	292	275	40