

SELF-CLOSING GLOBE VALVE FLANGED STRAIGHT WITH HANDLE DIN PN 16

Материал nodular iron EN-JS1025; DIN GGG40.3
 Налягане PN 16
 Размер DN 15 - 80

APPLICATIONS

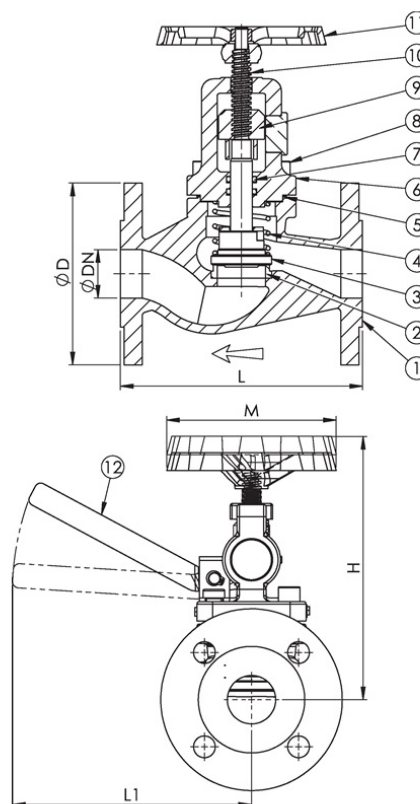
Self closing valve used in water or fuel systems where the valves are opened with the lever and closed automatically by the spring. Can be locked in closed position by the handwheel. Metal sealing.

MEDIA

"Thermal oil. Fuel oil, lubricating oil and flammable hydraulic oil. Cargo oil. Non-flammable hydraulic fluid. Boiler feedwater, condensate. Seawater and freshwater."

Variants

Other body materials on request - Cast steel 1.0619
 Other standards flange connections - ANSI / JIS



No.	Part	Material
1	Body	Ductile iron EN-JS1030 (GGG40)
2	Seat ring	Stainless steel 1.4301 (AISI304)
3	Disc	Stainless steel 1.4301 (AISI304)
4	Spring	Spring steel SH (1084 ASTM A713)
5	Gasket	NBR bonded aramid
6	Bonnet	Ductile iron EN-JS1030 (GGG40)
7	O-ring	FPM/FKM
8	Screw	8.8 FZB
9	Setting nut	Brass CW617N (Ms58)
10	Stem	Stainless steel 1.4301 (AISI304)
11	Handwheel	Cast iron EN-JL1040 (GG25)
12	Lever	Stainless steel 1.4301 (AISI304)

SELF-CLOSING GLOBE VALVE FLANGED STRAIGHT WITH HANDLE DIN PN 16

Материал nodular iron EN-JS1025; DIN
GGG40.3
Налягане PN 16
Размер DN 15 - 80

Specifications	
Standart:	DIN
Flange standard:	ISO 7005-2, ASME B16.42
Face to face standard:	ISO 5752, basic series 1
Bonnet connection:	Bolted
Execution:	Straight
Connection type:	Flanged
Operation:	Handwheel / Selfclosing
Actuation:	Multiturn
Tmax 120 °C Bars:	16 Bars
Tmax 180 °C Bars:	10 Bars

Dn	Pressure rating	Connection	L	D	L1	H	M	Weight (kg)
15	PN 16	PN 16	130	95	166	185	120	4.2
20	PN 16	PN 16	150	105	166	185	120	4.7
25	PN 16	PN 16	160	115	168	195	120	5.6
32	PN 16	PN 16	180	140	168	194	120	7.1
40	PN 16	PN 16	200	150	201	217	140	10
50	PN 16	PN 16	230	165	204	217	140	12
65	PN 16	PN 16	290	185	278	254	140	17
80	PN 16	PN 16	310	200	285	259	160	24