

SIGHT GLASS DIN PN 16

Материал cast iron EN-JL1040 (GG25)

Налягане PN 16

Размер DN 15 - 250

APPLICATIONS

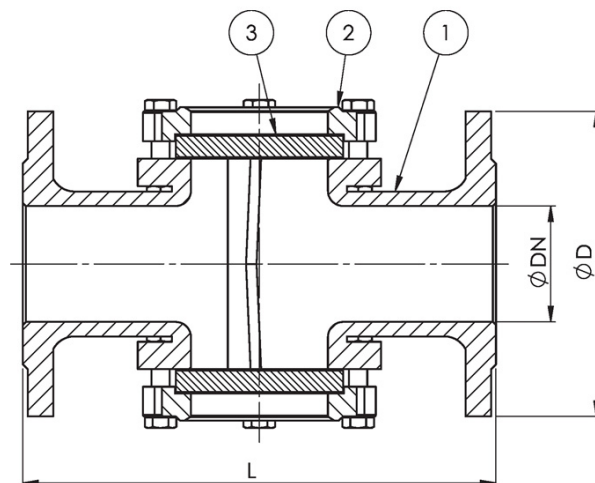
Sightglasses are used for visual inspection of liquids and gases. Suitable for installation in horizontal and vertical position. The venturi makes the flow visible.

MEDIA

"Fuel oil, lubricating oil and flammable hydraulic oil. Cargo oil. Non-flammable hydraulic fluid. Boiler feedwater, condensate. Seawater and freshwater."

VARIANTS AND ADVANTAGES

"Other body materials on request: Cast steel, Stainless steel, Bronze"



No.	Part	Material
1	Body	Cast iron EN-JL1040 (GG25)
2	Bonnet	Cast iron EN-JL1040 (GG25)
3	Glass	Double tempered glass (Soda Glass)

Specifications	
Standart:	DIN
Flange standard:	EN1092-2
Face to face standard:	EN 558, series 1
Execution:	Straight
Connection type:	Flanged
Tmax at 16 Bars	120 °C
Tmax at 9.6 Bars	320 °C

Dn	Pressure rating	Connection	L	D	Weight (kg)
15	PN 16	PN 16	135	95	3
20	PN 16	PN 16	150	105	4
25	PN 16	PN 16	160	115	4
32	PN 16	PN 16	180	140	6

SIGHT GLASS DIN PN 16

Материал cast iron EN-JL1040 (GG25)

Налягане PN 16

Размер DN 15 - 250

Dn	Pressure rating	Connection	L	D	Weight (kg)
40	PN 16	PN 16	200	150	7
50	PN 16	PN 16	230	165	9
65	PN 16	PN 16	290	185	17
80	PN 16	PN 16	310	200	18
100	PN 16	PN 16	350	220	23
125	PN 16	PN 16	400	250	50
150	PN 16	PN 16	480	285	63
200	PN 16	PN 16	600	340	120
200	PN 16	PN 10	600	340	120
250	PN 16	PN 16	730	405	160
250	PN 16	PN 10	730	405	160