

STAINLESS STEEL BALL VALVE FLANGED 2 PARTS • DIN PN 16

Материал stainless steel 1.4408
 Налягане PN 16
 Размер DN-65-200

DESCRIPTIONS

Ball valve is mainly used as shut off in liquid systems where it is a need for high flow. Quarterturn operation. Full bore. Two piece heavy duty valve. Anti-static stem. Top flange according to ISO 5211.

MEDIA

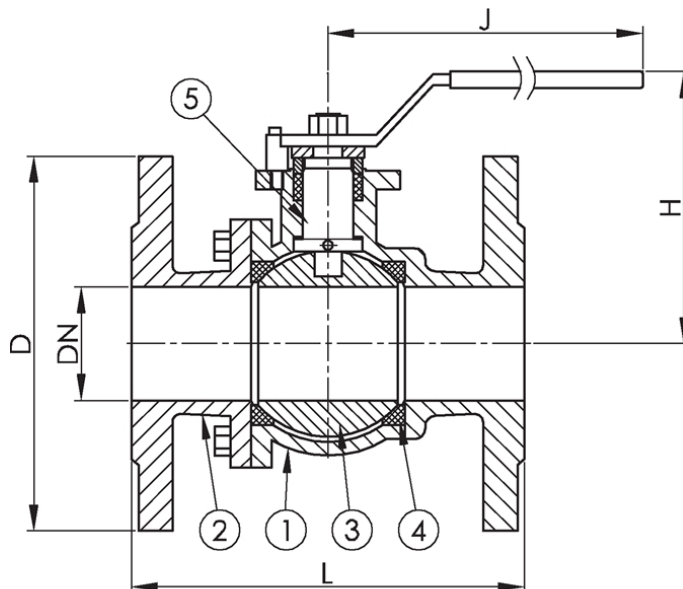
- Fuel oil, lubricating oil and flammable hydraulic oil. Cargo oil. Air. Gas. Non-flammable hydraulic fluid.
 - Boiler feedwater, condensate. Seawater and freshwater.

VARIANTS

Other materials on request.

OPTIONS

Relief hole on ball



No.	Part	Material	Specifications	
1	Body	Stainless steel 1.4408 (AISI316)	Standart:	EN ISO 17292-EN 12516
2	Cap	Stainless steel 1.4408 (AISI316)	Flange standard:	EN1092-2
3	Ball (relieff hole)	Stainless steel 1.4408 (AISI316)	Face to face standard:	EN558, Series 27
4	Seat	PTFE	Execution:	Straight
5	Stem	Stainless steel 1.4401 (AISI316)	Connection type:	Flanged
			Operation:	Lever
			Actuation:	quarterturn
			Tmax	120 °C

Dn	Pressure rating	Connection	L	D	P	N x d	H	J	Weight (kg)
65	16	16	170	185	145	4 x 18	150	265	13,8
80	16	16	180	200	160	8 x 18	160	265	17,7
100	16	16	190	220	180	8 x 18	182	400	25,2
125	16	16	325	250	210	8 x 18	260	600	60
150	16	16	350	285	240	8 x 22	280	800	71,8

**STAINLESS STEEL BALL VALVE FLANGED 2
PARTS • DIN PN 16**

Материал stainless steel 1.4408

Налягане PN 16

Размер DN-65-200

Dn	Pressure rating	Connection	L	D	P	N x d	H	J	Weight (kg)
200	16	16	400	340	295	12 x 22	279,5	800	127