

STAINLESS STEEL BALL VALVE FLANGED 2 PARTS • DIN PN 40

Материал stainless steel 1.4408

Налягане PN 40

Размер DN 15 - 200

DESCRIPTIONS

Ball valve is mainly used as shut off in liquid systems where it is a need for high flow. Quarterturn operation. Full bore. Two piece heavy duty valve. Anti-static stem. Top flange according to ISO 5211.

MEDIA

- Fuel oil, lubricating oil and flammable hydraulic oil. Cargo oil. Air. Gas. Non-flammable hydraulic fluid.

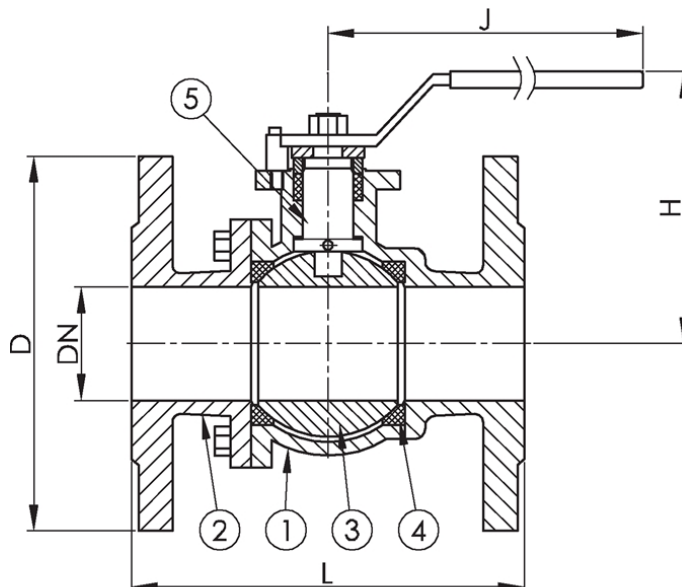
- Boiler feedwater, condensate. Seawater and freshwater.

VARIANTS

Other materials on request.

OPTIONS

Relief hole on ball



No.	Part	Material	Specifications	
1	Body	Stainless steel 1.4408 (AISI316)	Standart:	EN ISO 17292-EN 12516
2	Cap	Stainless steel 1.4408 (AISI316)	Flange standard:	EN1092-2
3	Ball (relieff hole)	Stainless steel 1.4408 (AISI316)	Face to face standard:	EN558, Series 27
4	Seat	PTFE	Execution:	Straight
5	Stem	Stainless steel 1.4401 (AISI316)	Connection type:	Flanged
			Operation:	Lever
			Actuation:	quarterturn
			Tmax	120 °C

Dn	Pressure rating	Connection	L	D	P	N x d	H	J	Weight (kg)
15	40	40	115	95	65	4 x 14	78	138	2,2
20	40	40	120	105	75	4 x 14	84	138	2,9
25	40	40	125	115	85	4 x 14	89	168	3,7
32	40	40	130	140	100	4 x 18	97	168	5,6
40	40	40	140	150	110	4 x 18	114	230	7,3

STAINLESS STEEL BALL VALVE FLANGED 2 PARTS • DIN PN 40

Материал stainless steel 1.4408

Налягане PN 40

Размер DN 15 - 200

Dn	Pressure rating	Connection	L	D	P	N x d	H	J	Weight (kg)
50	40	40	150	165	125	4 x 18	121	230	9,3
65	40	40	170	185	145	4 x 18	150	265	13,8
80	40	40	180	200	160	8 x 18	160	265	17,7
100	40	40	190	220	180	8 x 18	182	400	25,2
125	40	40	325	250	210	8 x 18	260	600	60
150	40	40	350	285	240	8 x 22	280	800	71,8
200	40	40	400	340	295	12 x 22	279,5	800	127