

STAINLESS STEEL BALL VALVE FLANGED 3 PARTS • DIN PN 25

Материал stainless steel 1.4541
 Налягане PN 25
 Размер DN 32 - 50

DESCRIPTIONS

Ball valve is mainly used as shut off in liquid systems where it is a need for high flow. Quarterturn operation. Full bore. Three piece bolted. Top flange according to ISO 5211. Anti-static stem.

APPLICATION

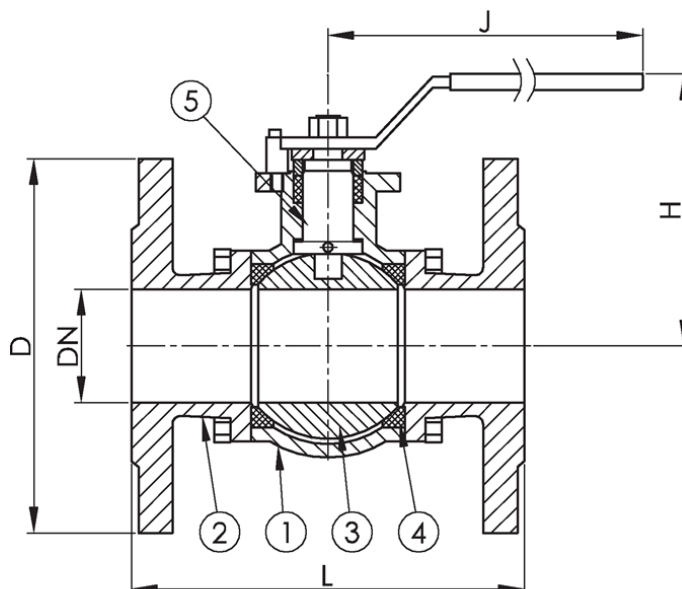
- Corrosive fluids. Fuel oil, lubricating oil and flammable hydraulic oil. Cargo oil. Air. Gas. Non-flammable hydraulic fluid.
 - Boiler feedwater, condensate. Seawater and freshwater.

VARIANTS

Other materials on request.

OPTIONS

Relief hole on ball



No.	Part	Material
1	Body	Stainless steel 1.4541 (AISI321)
2	Cap	Stainless steel 1.4541 (AISI321)
3	Ball	Stainless steel 1.4541 (AISI321)
4	Seat	PTFE
5	Stem	Stainless steel 1.4408 (AISI316)

Specifications	
Standart:	DIN 3202 F1
Flange standard:	EN1092-2
Face to face standard:	EN558, Series 1
Execution:	Straight
Connection type:	Flanged
Operation:	Lever
Actuation:	quarterturn
Tmax	120 °C

Max. working pressure (bar) at °c				
Dn	38°c	100°c	150°c	180°c
15 - 100	40	24	12	3

Dn	Pressure rating	Connection	L	D	P	N x d	H	J	Weight (kg)
----	-----------------	------------	---	---	---	-------	---	---	-------------

STAINLESS STEEL BALL VALVE FLANGED 3 PARTS • DIN PN 25

Материал stainless steel 1.4541

Налягане PN 25

Размер DN 32 - 50

Dn	Pressure rating	Connection	L	D	P	N x d	H	J	Weight (kg)
32	25	25	180	140	100	4 x 18	97	168	5,6
40	25	25	200	150	110	4 x 18	114	230	7,3
50	25	25	230	165	125	4 x 18	121	230	9,3