

STAINLESS STEEL BALL VALVE SOCKET WELD 3 PARTS • DIN PN 25

Материал stainless steel 1.4541

Налягане PN 25

Размер DN 32 - 50

DESCRIPTIONS

Ball valve is mainly used as shut off in liquid systems where it is a need for high flow. Quarterturn operation. Full bore. Three piece bolted. Top flange according to ISO 5211. Anti-static stem.

APPLICATION

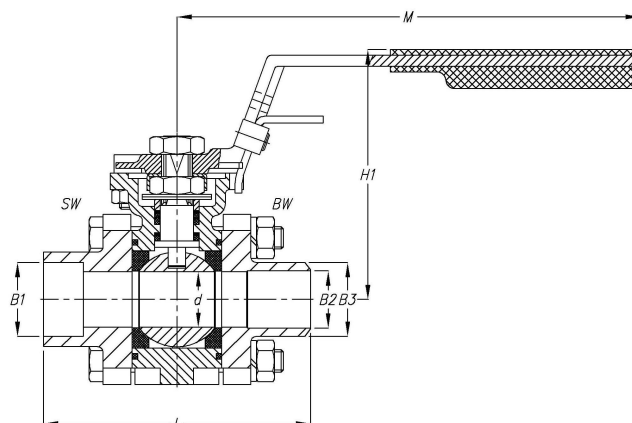
- Corrosive fluids. Fuel oil, lubricating oil and flammable hydraulic oil. Cargo oil. Air. Gas. Non-flammable hydraulic fluid.
- Boiler feedwater, condensate. Seawater and freshwater.

VARIANTS

Other materials on request.

OPTIONS

Butt weld connection



Part	Material	Specifications	
Body	Stainless steel 1.4541 (AISI321)	Standart:	DIN 3202 F1
Cap	Stainless steel 1.4541 (AISI321)	Flange standard:	EN1092-2
Ball	Stainless steel 1.4541 (AISI321)	Face to face standard:	EN558, Series 1
Seat	PTFE	Execution:	Straight
Stem	Stainless steel 1.4408 (AISI316)	Connection type:	Socket Weld DIN3239-2
		Operation:	Lever
		Actuation:	Quarterturn 90°
		Tmax	120 °C

Max. working pressure (bar) at °c			
Dn	100°c	150°c	180°c
32 - 50	40	20	5

Dn	D	H	F	H1	L	Butt weld reduced port	Butt weld full port	Socket weld	M	Weight			
						B3	B2	Red	Full				
								B1	B1				
[mm]										[kg]			
32	31,8	61	22	110	118	48,3	40,9	42,2	35,1	49	43	205	3,2

STAINLESS STEEL BALL VALVE SOCKET WELD 3 PARTS • DIN PN 25

Материал stainless steel 1.4541

Налягане PN 25

Размер DN 32 - 50

Dn	D	H	F	H1	L	Butt weld reduced port		Butt weld full port		Socket weld		M	Weight
						B3	B2	B3	B2	Red	Full		
										B1	B1		
[mm]												[kg]	
40	38,1	65	22	115	130	60,3	52,5	48,3	40,9	61,1	49	205	4,2
50	50,8	80	25	130	142	76,1	68,9	60,3	52,5	77,1	61,1	205	6,3