

# STAINLESS STEEL BALL VALVE THREADED 2 PARTS • DIN PN 40

Материал stainless steel 1.4541

Налягане PN 40

Размер 2 1/2" - 4"

## APPLICATION

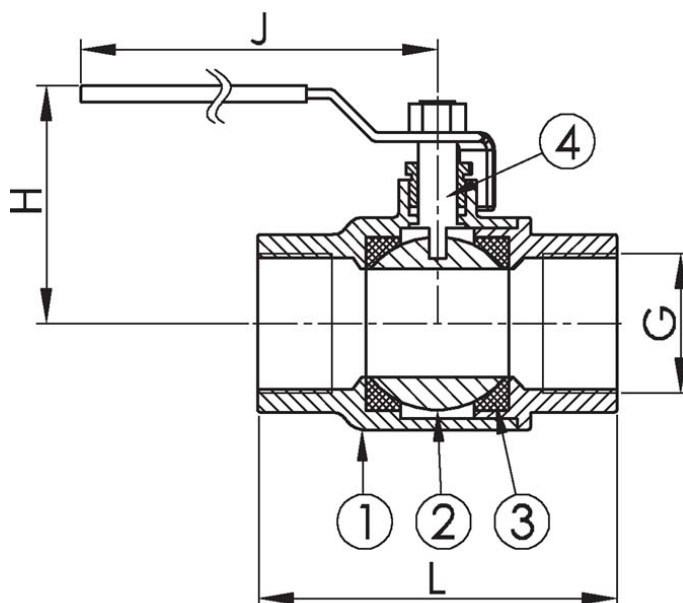
Corrosive fluids. Fuel oil, lubricating oil and flammable hydraulic oil. Cargo oil. Air. Gas. Non-flammable hydraulic fluid. Boiler feedwater, condensate. Seawater and freshwater.

## VARIANTS

Other materials on request.

## OPTIONS

Relief hole on ball



No.	Part	Material	Specifications	
1	Body	Stainless steel 1.4408 (AISI316)	Standart:	DIN
2	Ball	Stainless steel 1.4408 (AISI316)	Screw standard:	ISO 228-1. BSPP
3	Seat	PTFE	Face to face standard:	EN558, Series 1
4	Stem	Stainless steel 1.4408 (AISI316)	Execution:	Straight
			Connection type:	Screwed
			Operation:	Lever
			Actuation:	quarterturn
			Tmax	120 °C

Dn	Pressure rating	Connection bspp	L	H	J	Weight (kg)
65	40	G 2 1/2"	129	105	194	2,8
80	40	G 3"	170	145	258	6,8
100	40	G 4"	192	155	258	9,8