

# STAINLESS STEEL BALL VALVE THREADED 2 PARTS • DIN PN 63

Материал stainless steel 1.4541

Налягане PN 63

Размер 1/4" - 2"

### APPLICATION

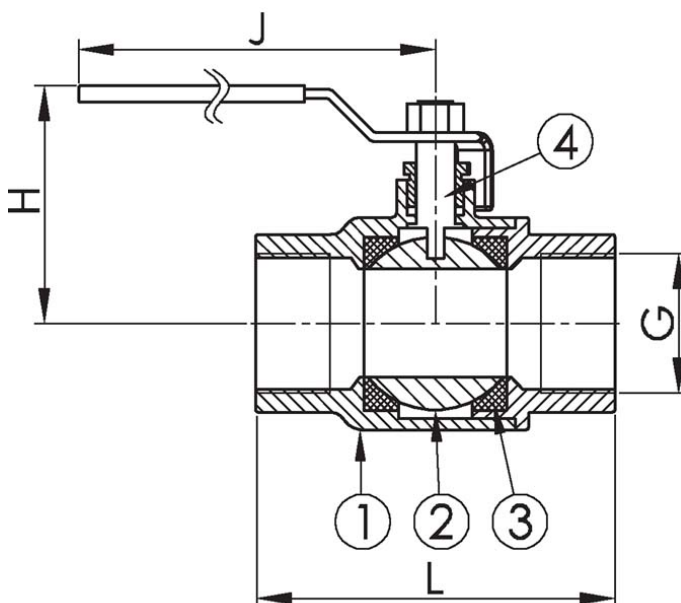
Corrosive fluids. Fuel oil, lubricating oil and flammable hydraulic oil. Cargo oil. Air. Gas. Non-flammable hydraulic fluid. Boiler feedwater, condensate. Seawater and freshwater.

### VARIANTS

Other materials on request.

### OPTIONS

Relief hole on ball



No.	Part	Material
1	Body	Stainless steel 1.4408 (AISI316)
2	Ball	Stainless steel 1.4408 (AISI316)
3	Seat	PTFE
4	Stem	Stainless steel 1.4408 (AISI316)

Specifications	
Standart:	DIN
Screw standard:	ISO 228-1. BSPP
Face to face standard:	EN558, Series 1
Execution:	Straight
Connection type:	Screwed
Operation:	Lever
Actuation:	quarterturn
Tmax	120 °C

Dn	Pressure rating	Connection bspp	L	H	J	Weight (kg)
8	63	G 1/4"	55,3	57	106	0,3
10	63	G 3/8"	55,3	57	106	0,3
15	63	G 1/2"	64,7	60	106	0,3
20	63	G 3/4"	73,4	68	124	0,5
25	63	G 1"	84,8	77	153	0,8
32	63	G 1 1/4"	99,5	82	153	1,2
40	63	G 1 1/2"	112,7	98	194	1,8
50	63	G 2"	129	105	194	2,8