

# STAINLESS STEEL BALL VALVE THREADED 3 PARTS • DIN PN 16

Материал stainless steel 1.4541

Налягане PN 16

Размер 3" - 4"

## APPLICATION

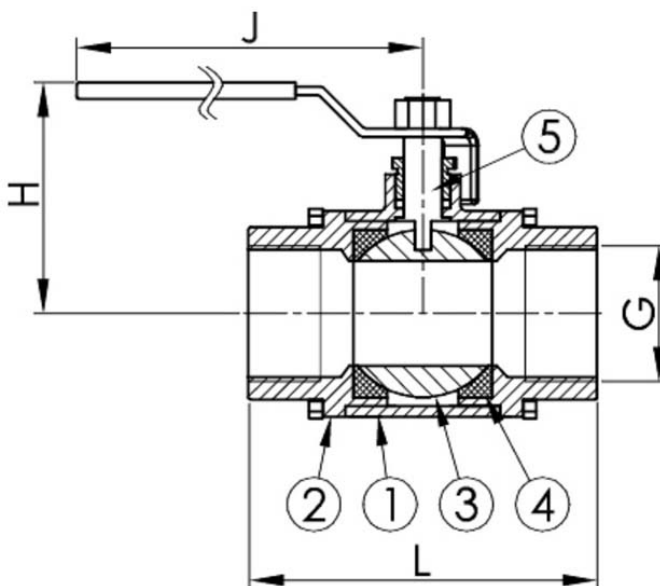
Corrosive fluids. Fuel oil, lubricating oil and flammable hydraulic oil. Cargo oil. Air. Gas. Non-flammable hydraulic fluid. Boiler feedwater, condensate. Seawater and freshwater.

## VARIANTS

Other materials on request.

## OPTIONS

Relief hole on ball



No.	Part	Material	Specifications	
1	Body	Stainless steel 1.4408 (AISI316)	Standart:	DIN 3202 F1
2	Cap	Stainless steel 1.4408 (AISI316)	Screw standard:	ISO 228-1. BSPP
3	Ball	Stainless steel 1.4408 (AISI316)	Face to face standard:	EN558, Series 1
4	Seat	PTFE	Execution:	Straight
5	Stem	Stainless steel 1.4408 (AISI316)	Connection type:	Screwed
			Operation:	Lever
			Actuation:	quarterturn
			Tmax	120 °C

Dn	Pressure rating	Connection bsp	L	H	J	Weight (kg)
80	16	G 3"	205	155	257	11
100	16	G 4"	240	183	285	18