

# STAINLESS STEEL BALL VALVE THREADED 3 PARTS • DIN PN 25

Материал stainless steel 1.4541  
 Налягане PN 25  
 Размер 1 1/4" - 2 1/2"

### APPLICATION

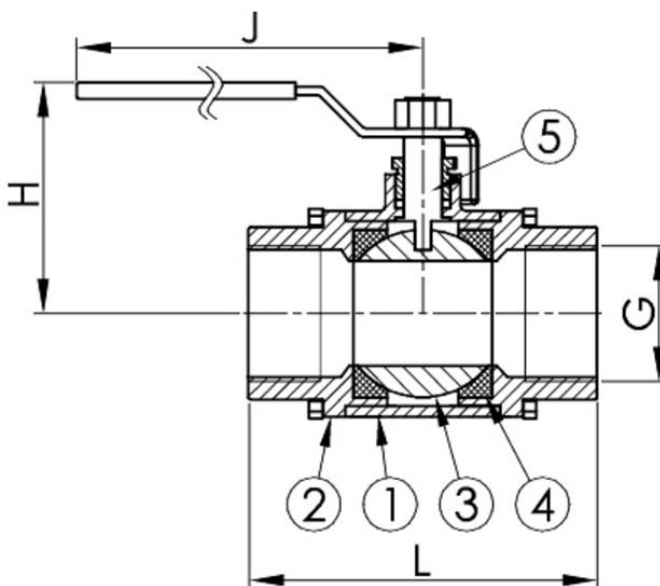
Corrosive fluids. Fuel oil, lubricating oil and flammable hydraulic oil. Cargo oil. Air. Gas. Non-flammable hydraulic fluid. Boiler feedwater, condensate. Seawater and freshwater.

### VARIANTS

Other materials on request.

### OPTIONS

Relief hole on ball



No.	Part	Material	Specifications	
1	Body	Stainless steel 1.4408 (AISI316)	Standart:	DIN 3202 F1
2	Cap	Stainless steel 1.4408 (AISI316)	Screw standard:	ISO 228-1. BSPP
3	Ball	Stainless steel 1.4408 (AISI316)	Face to face standard:	EN558, Series 1
4	Seat	PTFE	Execution:	Straight
5	Stem	Stainless steel 1.4408 (AISI316)	Connection type:	Screwed
			Operation:	Lever
			Actuation:	quarterturn
			Tmax	120 °C

Dn	Pressure rating	Connection bsp	L	H	J	Weight (kg)
32	25	G 1 1/4"	110	83	155	1,8
40	25	G 1 1/2"	120	98	192	2,5
50	25	G 2"	140	105	192	3,7
65	25	G 2 1/2"	185	148	257	8,1