

STAINLESS STEEL BALL VALVE TYPE WAFER • DIN PN 16

Материал stainless steel 1.4408

Налягане PN 16

Размер DN 15 - 50

APPLICATION

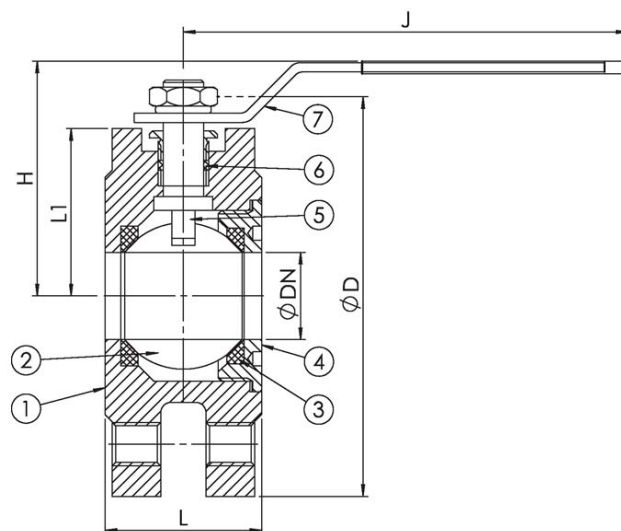
Corrosive fluids. Fuel oil, lubricating oil and flammable hydraulic oil. Cargo oil. Air. Gas. Non-flammable hydraulic fluid. Boiler feedwater, condensate. Seawater and freshwater.

VARIANTS

Other materials on request.

OPTIONS

Relief hole on ball



No.	Part	Material	Specifications	
1	Body	Stainless steel 1.4408 (AISI316)	Standart:	DIN
2	Ball relief hole	Stainless steel 1.4408 (AISI316)	Flange standard:	EN 1092-1
3	Seat	PTFE	Face to face standard:	EN558, Series 1
4	Cap	Stainless steel 1.4408 (AISI316)	Execution:	Straight
5	Stem	Stainless steel 1.4408 (AISI316)	Connection type:	Flanges
6	Stem packing	PTFE	Operation:	Lever
7	Handle	Stainless steel 1.4408 (AISI316)	Actuation:	quterturn
			Tmax	180 °C

Dn	Pressure rating	Connection	L	D	P	N x d	H	J	Weight (kg)
15	40	40	34,5	95	65	4 x 14	73	150	1,3
20	40	40	38,5	105	75	4 x 14	80,5	150	1,8
25	40	40	44,5	115	85	4 x 14	89	155	2,3
32	40	40	54	140	100	4 x 18	97,5	173	3,6
40	40	40	62	150	110	4 x 18	104,5	214	4,5
50	40	40	80	165	125	4 x 18	112	215	6,7