

STAINLESS STEEL BALL VALVE TYPE WAFER • DIN PN 40

Материал stainless steel 1.4408
Налягане PN 40
Размер DN-65-100

APPLICATION

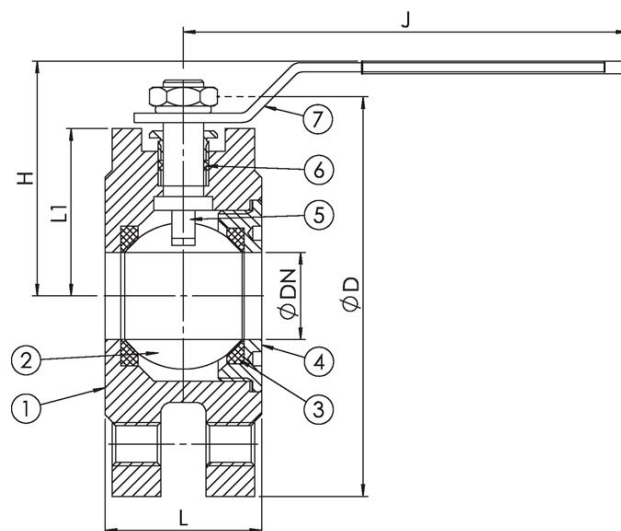
Corrosive fluids. Fuel oil, lubricating oil and flammable hydraulic oil. Cargo oil. Air. Gas. Non-flammable hydraulic fluid. Boiler feedwater, condensate. Seawater and freshwater.

VARIANTS

Other materials on request.

OPTIONS

Relief hole on ball



No.	Part	Material	Specifications	
1	Body	Stainless steel 1.4408 (AISI316)	Standart:	DIN
2	Ball relief hole	Stainless steel 1.4408 (AISI316)	Flange standard:	EN 1092-1
3	Seat	PTFE	Face to face standard:	EN558, Series 1
4	Cap	Stainless steel 1.4408 (AISI316)	Execution:	Straight
5	Stem	Stainless steel 1.4408 (AISI316)	Connection type:	Flanges
6	Stem packing	PTFE	Operation:	Lever
7	Handle	Stainless steel 1.4408 (AISI316)	Actuation:	quarterturn
			Tmax	180 °C

Dn	Pressure rating	Connection	L	D	P	N x d	H	J	Weight (kg)
65	16	16	104	185	145	4 x 18	148	262	11
80	16	16	118	200	160	8 x 18	150	262	14
100	16	16	148,4	220	180	8 x 18	181,5	500	23