

STAINLESS STEEL CHECK SCREWED DIN PN 40

Материал stainless steel 1.4408; AISI 316
 Налягане PN 40
 Размер G 1/2" - 3"

DESCRIPTION

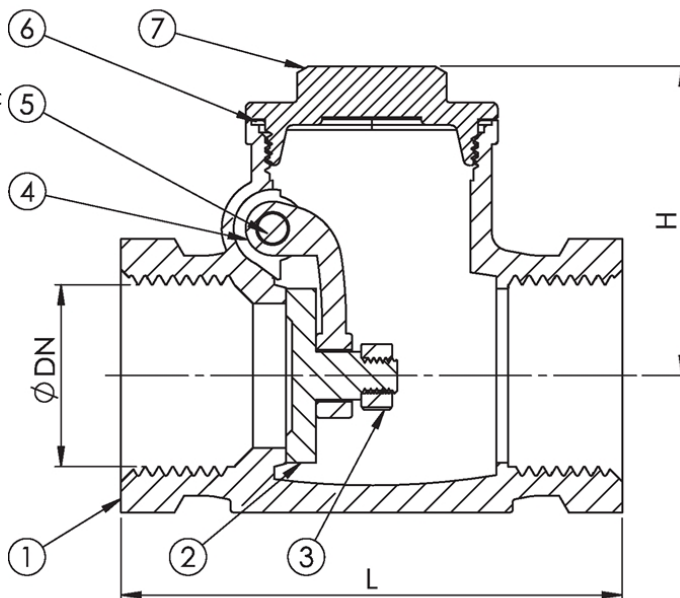
Swing check valve with metal/metal disc sealing, flanged connection and screwed cover.

MEDIA

- Fuel oil, lubricating oil and flammable hydraulic oil. Boiler feedwater, condensate. Seawater and freshwater.

VARIANTS

Other materials on request



| No. | Part | Material | Specifications | |
|-----|----------|-----------------------------------|--------------------|------------------|
| 1 | Body | Stainless steel 1.4301 (AISI304) | Standart: | DIN |
| 2 | Disc | Stainless steel 1.4301 (AISI304) | Screw type | NPT |
| 3 | Disc nut | A2 | Bonnet connection: | Screwed |
| 4 | Rod | Stainless steel 1.4401 (AISI 316) | Execution: | Straight |
| 5 | Pin | Stainless steel 1.4401 (AISI 316) | Connection type: | Screw ends |
| 6 | Gasket | PTFE | Operation: | Non-return valve |
| 7 | Cap | Stainless steel 1.4301 (AISI304) | Actuation: | Self Return |
| | | | Tmax | 200 °C |

| Dn | Pressure rating | Connection | L | H | Weight (kg) |
|----|-----------------|------------|-----|----|-------------|
| 15 | 16 | G 1/2" | 60 | 42 | 0,3 |
| 20 | 16 | G 3/4" | 78 | 46 | 0,5 |
| 25 | 16 | G 1" | 84 | 49 | 0,7 |
| 32 | 16 | G 1 1/4" | 94 | 54 | 0,9 |
| 40 | 16 | G 1 1/2" | 104 | 59 | 1,2 |

STAINLESS STEEL CHECK SCREWED DIN PN 40

Материал stainless steel 1.4408; AISI 316

Налягане PN 40

Размер G 1/2" - 3"

| Dn | Pressure rating | Connection | L | H | Weight (kg) |
|----|-----------------|------------|-----|-----|-------------|
| 50 | 16 | G 2" | 122 | 67 | 1,8 |
| 65 | 16 | G 2 1/2" | 153 | 105 | 3,5 |
| 80 | 16 | G 3" | 175 | 125 | 5 |