

STAINLESS STEEL CHECK VALVE DIN PN 16

Материал stainless steel 1.4408; AISI 316

Налягане PN 16

Размер DN 50 - 300

DESCRIPTIONS

Swing check valve with metal/metal sealing, flanged connection and bolted cover.

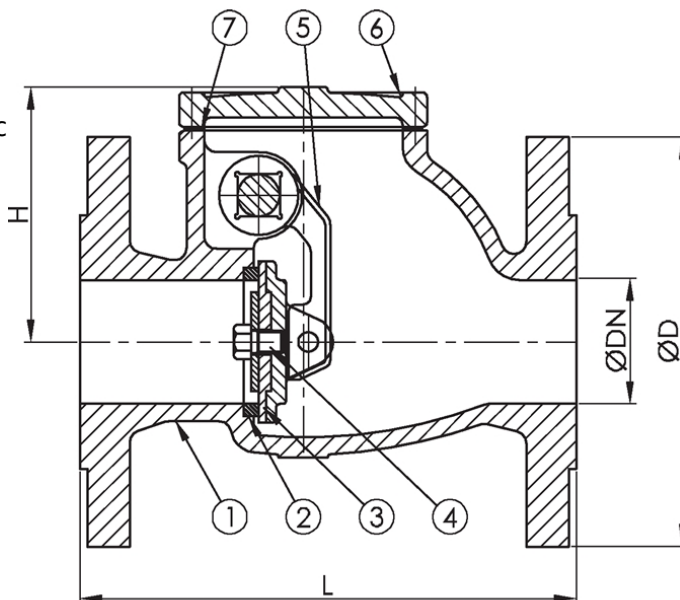
APPLICATION

- Steam. Fuel oil, lubricating oil and flammable hydraulic oil. Cargo oil. Non-flammable hydraulic fluid. Boiler feedwater, condensate.

- Seawater and freshwater. Also for installation in vertical pipelines. Upwards flow only.

VARIANTS

Other materials on request



No.	Part	Material	Specifications	
1	Body	Stainless steel 1.4301 (AISI304)	Standart:	DIN 3202 F1
2	Body seat	Stainless steel 1.4301 (AISI304)	Flange standard:	EN1092-2
3	Disc sealing	Stainless steel 1.4021 (AISI420)	Face to face standard:	EN558, Series 1
4	Stem	Stainless steel 1.4021 (AISI420)	Bonnet connection:	Bolted
5	Disc, hinge arm	Stainless steel 1.4021 (AISI420)	Execution:	Straight
6	Cover	Stainless steel 1.4301 (AISI304)	Connection type:	Flanged
7	Sealing	Non asbestos gasket	Operation:	Non-return valve
			Actuation:	Self Return
			Tmax: [°C]	250 °C

Dn	Pressure rating	Connection	L	D	P	N x d	H	Weight (kg)
50	16	16	230	160	125	4 x 18	120	15,5
65	16	16	290	180	145	4 x 18	135	19
80	16	16	310	195	160	4 x 18	145	26,4
100	16	16	350	215	180	8 x 18	186	37

STAINLESS STEEL CHECK VALVE DIN PN 16

Материал stainless steel 1.4408; AISI 316

Налягане PN 16

Размер DN 50 - 300

Dn	Pressure rating	Connection	L	D	P	N x d	H	Weight (kg)
125	16	16	400	245	210	8 x 18	200	57
150	16	16	460	280	240	8 x 23	214	76
200	16	16	600	340	295	12 x 23	300	165
250	16	16	730	405	355	12 x 26	340	267
300	16	16	850	460	410	12 x 26	380	440