

STAINLESS STEEL CHECK VALVE WAFER TYPE W409 DIN PN 16

Материал stainless steel 1.4301; AISI 304

Налягане PN 16

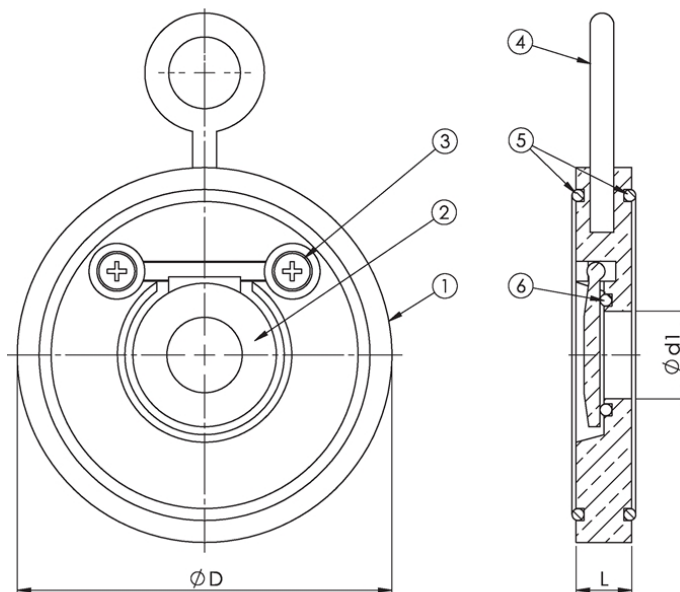
Размер DN-40-500

APPLICATION

Steam. Thermal oil. Fuel oil, lubricating oil and flammable hydraulic oil.
Cargo oil. Air. Gas. Non-flammable hydraulic fluid.
Boiler feedwater, condensate.
Seawater and freshwater.

VARIANTS

- O-ring material EPDM (-40°C to +120°C)
 - PTFE (-50°C to +220°C)
 - FPM/FKM (-30°C to +180°C).
- Larger dimensions on request.



No.	Part	Material	Specifications	
1	Body	Stainless steel 1.4301; 1.4401	Standart:	DIN, ANSI, JIS
2	Disc	Stainless steel 1.4301; 1.4401	Flange standard:	Wafer
3	Bolt	Stainless steel 1.4301	Face to face standard:	As producer specification
4	Eye bolt	Stainless steel 1.4301	Connection type:	Wafer
5	O-ring	NBR	Operation:	Non-return valve
6	O-ring	NBR	Actuation:	Self Return
			Tmax	220 °C

Dn	Pressure rating	Connection	L	D1	D	Weight (kg)
40	10	10	14	22	94	0,9
50	10	10	14	32	109	1,2
65	10	10	14	40	129	1,5
80	10	10	14	54	144	2,5
100	10	10	18	70	164	3,3
125	10	10	18	92	194	4

STAINLESS STEEL CHECK VALVE WAFER TYPE W409 DIN PN 16

Материал stainless steel 1.4301; AISI 304

Налягане PN 16

Размер DN-40-500

Dn	Pressure rating	Connection	L	D1	D	Weight (kg)
150	10	10	20	112	220	4,7
200	10	10	22	154	275	7,8
250	10	10	26	200	330	13
300	10	10	32	240	380	19
350	10	10	38	270	440	35
400	10	10	44	310	490	52
450	10	10	50	360	540	64
500	10	10	56	405	595	75