

STAINLESS STEEL CHECK VALVE WAFER TYPE W409 DIN PN 25

Материал stainless steel 1.4301; AISI 304

Налягане PN 25

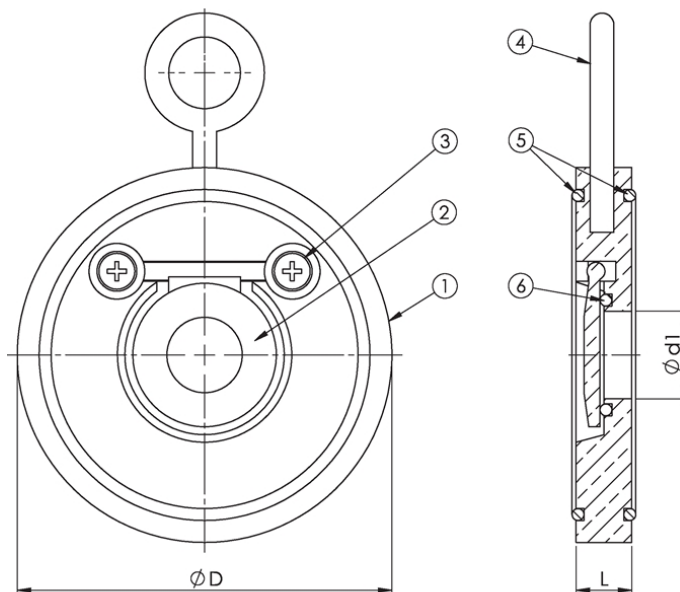
Размер DN-40-500

APPLICATION

Steam. Thermal oil. Fuel oil, lubricating oil and flammable hydraulic oil.
Cargo oil. Air. Gas. Non-flammable hydraulic fluid.
Boiler feedwater, condensate.
Seawater and freshwater.

VARIANTS

- O-ring material EPDM (-40°C to +120°C)
 - PTFE (-50°C to +220°C)
 - FPM/FKM (-30°C to +180°C)
- Larger dimensions on request.



No.	Part	Material	Specifications	
1	Body	Stainless steel 1.4301; 1.4401	Standart:	DIN, ANSI, JIS
2	Disc	Stainless steel 1.4301; 1.4401	Flange standard:	Wafer
3	Bolt	Stainless steel 1.4301	Face to face standard:	As producer specification
4	Eye bolt	Stainless steel 1.4301	Connection type:	Wafer
5	O-ring	NBR	Operation:	Non-return valve
6	O-ring	NBR	Actuation:	Self Return
			Tmax	220 °C

Dn	Pressure rating	Connection	L	D1	D	Weight (kg)
40	16	16	14	22	95	0,9
50	16	16	14	32	109	1,2
65	16	16	14	40	129	1,5
80	16	16	14	54	144	2,5
100	16	16	18	70	164	3,3
125	16	16	18	92	195	4

STAINLESS STEEL CHECK VALVE WAFER TYPE W409 DIN PN 25

Материал stainless steel 1.4301; AISI 304

Налягане PN 25

Размер DN-40-500

Dn	Pressure rating	Connection	L	D1	D	Weight (kg)
150	16	16	20	112	220	4,7
200	16	16	22	154	275	7,8
250	16	16	26	200	332	13,5
300	16	16	32	240	386	22
350	16	16	38	270	446	37
400	16	16	44	310	496	56
450	16	16	50	360	557	68
500	16	16	56	405	620	84