

STAINLESS STEEL MANOMETER SYPHON TYPE "PIGTAIL" PN 100

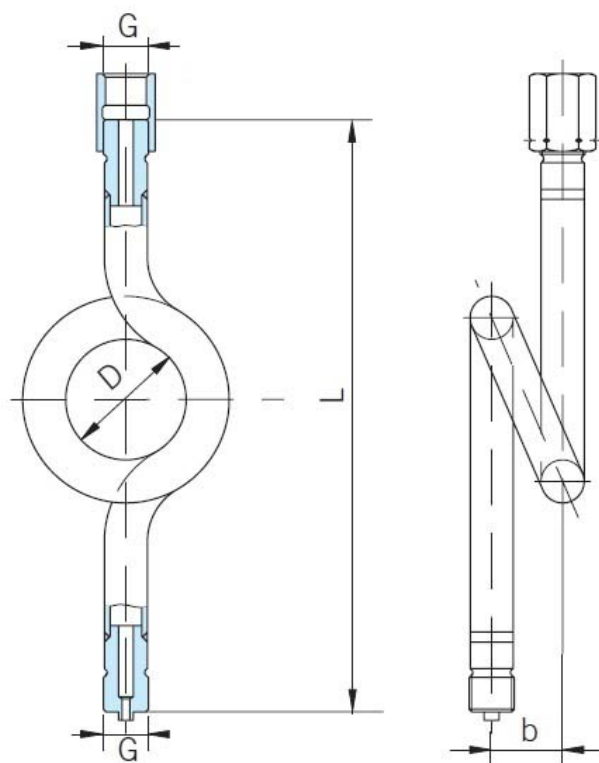
Материал 1.4301
Налягане PN 100
Размер BSPP G1/2"; M20x1,5

APPLICATIONS

Siphon towards pressure valve gauge

VARIANTS

Thread connection: Female/Female
Thread connection size: BSPP G1/2", G1/4, G3/8



No.	Part	Material
1	Body	Stainless steel seamless tube AISI 304/316

Specifications	
Standart:	DIN 16282
Max. Working Pressure [bar]:	100 Bar
Connection 1:	Female thread (BSPP)
Connection 1 size:	1/2" (15)
Connection 2:	Male thread (BSPP)
Connection 2 size:	1/2" (15)
Shape:	Pigtail

Dn	Thread bspp	Pressure range	Weight (kg)
15"	G1/2"	0-40,0 Bars	0,10