

STAINLESS STEEL MANOMETER SYPHON TYPE "U" PN 100

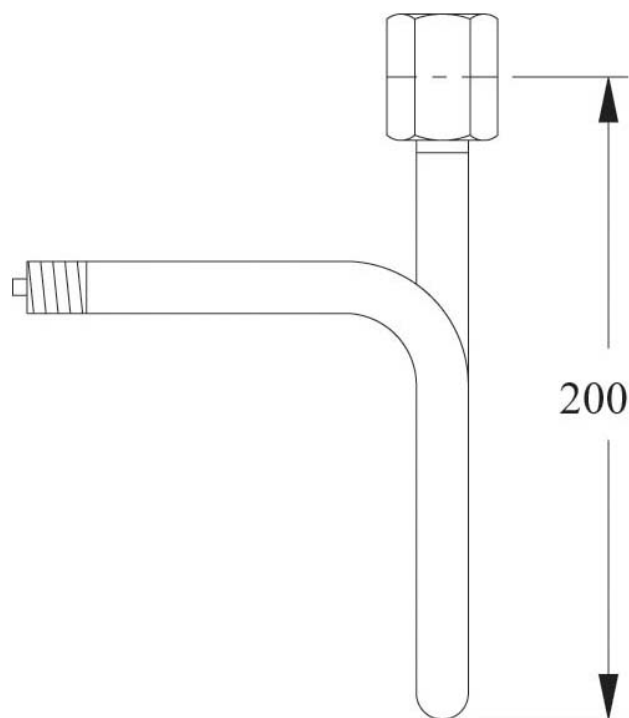
Материал 1.4301
 Налягане PN 100
 Размер BSPP G1/2"; M20x1,5

APPLICATIONS

Siphon towards pressure valve gauge

VARIANTS

Thread connection: Female/Male



| No. | Part | Material |
|-----|------|--|
| 1 | Body | Stainless steel seamless tube AISI 304/316 |

| Specifications | |
|------------------------------|----------------------|
| Standart: | DIN |
| Max. Working Pressure [bar]: | 100 Bar |
| Connection 1: | Female thread (BSPP) |
| Connection 1 size: | 1/2" (15) |
| Connection 2: | Male thread (BSPP) |
| Connection 2 size: | 1/2" (15) |
| Shape: | "U" |

| Dn | G | Weight (kg) |
|-----|-------|-------------|
| 15" | G1/2" | 0,760 |