

STAINLESS STEEL STRAINERS THREADED TYPE "Y"

Материал stainless steel 1.4408; AISI 316

Налягане PN 40

Размер G 1/4" - 2"

DESCRIPTIONS

Strainers are used in systems which needs to be protected against debris during pipe installation or regular operation. Y-strainer. It is possible to get the strainer basket with different mesh size.

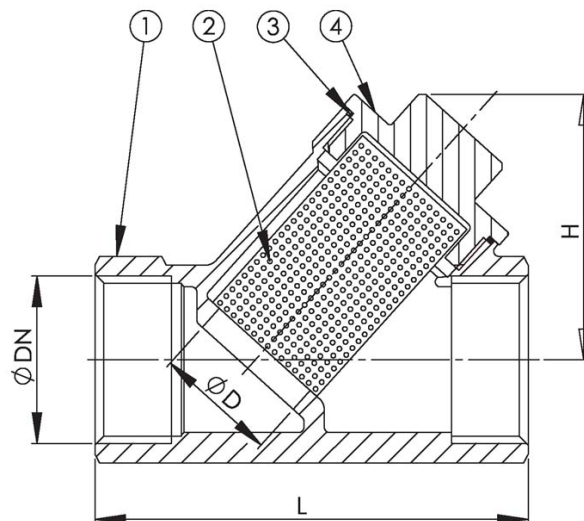
MEDIA

- Steam. Thermal oil. Fuel oil, lubricating oil and flammable hydraulic oil. Cargo oil. Air. Gas. Non-flammable hydraulic fluid.

- Boiler feedwater, condensate. Seawater and freshwater.

VARIANTS

NPT thread. Other mesh sizes on request.



No.	Part	Material
1	Body	Stainless steel 1.4408 (AISI316)
2	Screen	Stainless steel 1.4301 (AISI304)
3	Gasket	PTFE
4	Cap	Stainless steel 1.4408 (AISI316)

Specifications

Standart:	DIN
Execution:	Straight
Bonnet:	Screwed
Connection type:	Threaded Female
Actuation:	No actuation
Tmax	200 °C
Perforation:	Dia. 1 mm

Dn	Pressure rating	Connection female bsp	L	D	H	Weight (kg)
8	40	G 1/4"	65	11.5	37	0.3
10	40	G 3/8"	65	11.5	37	0.3

STAINLESS STEEL STRAINERS THREADED TYPE "Y"

Материал stainless steel 1.4408; AISI 316

Налягане PN 40

Размер G 1/4" - 2"

Dn	Pressure rating	Connection female bsp	L	D	H	Weight (kg)
15	40	G 1/2"	65	11.5	37	0.3
20	40	G 3/4"	75	17.4	44	0.3
25	40	G 1"	90	22.5	50.5	0.6
32	40	G 1 1/4"	110	30	56.5	1
40	40	G 1 1/2"	120	34	65	1.3
50	40	G 2"	150	44	76	1.6