

STEEL CHECK VALVE WAFER TYPE W409 DIN PN 10

Материал steel 1.0619; DIN GS-C25
Налягане PN 10
Размер DN-40-500

DESCRIPTION

Wafer type swing check valve, for installation between flanges PN10/PN25.

MEDIA

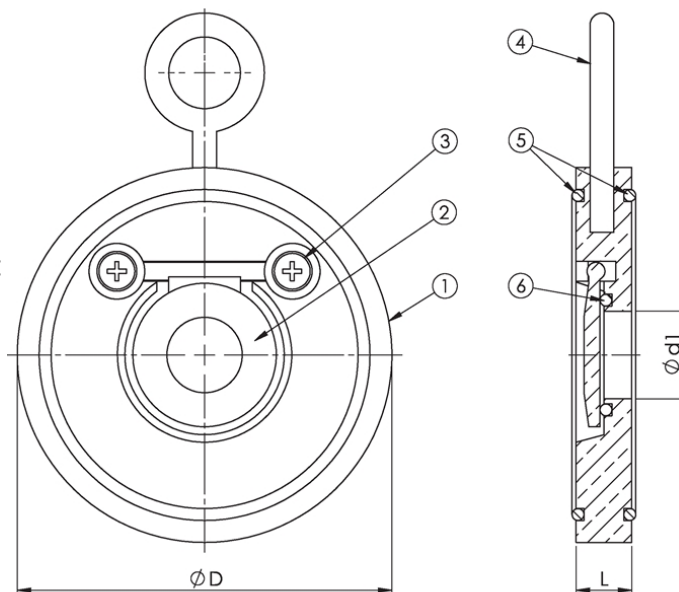
- Steam. Thermal oil. Fuel oil, lubricating oil and flammable hydraulic oil. Cargo oil. Air. Gas.
- Non-flammable hydraulic fluid. Boiler feedwater, condensate. Seawater and freshwater.

VARIANTS

O-ring material EPDM (-40°C to +120°C), PTFE (-50°C to +220°C) or FPM/FKM (-30°C to +180°C). Larger dimensions on request.

OPTIONS

Other materials on request



No.	Part	Material	Specifications	
1	Body	Cast steel 1.0619 (WCB) Galvanised	Standart:	DIN, ANSI, JIS
2	Disc	Cast steel 1.0619 (WCB) Galvanised	Flange standard:	Wafer
3	Bolt	Cast steel 1.0619 (WCB) Galvanised	Face to face standard:	As producer specification
4	Eye bolt	8.8 FZB	Connection type:	Wafer
5	O-ring	NBR	Operation:	Non-return valve
6	O-ring	NBR	Actuation:	Self Return
			Tmax	220 °C

Dn	Pressure rating	Connection	L	D1	D	Weight (kg)
40	10	10	14	22	94	0,9
50	10	10	14	32	109	1,2
65	10	10	14	40	129	1,5
80	10	10	14	54	144	2,5
100	10	10	18	70	164	3,3
125	10	10	18	92	194	4

STEEL CHECK VALVE WAFER TYPE W409 DIN PN 10

Материал steel 1.0619; DIN GS-C25

Налягане PN 10

Размер DN-40-500

Dn	Pressure rating	Connection	L	D1	D	Weight (kg)
150	10	10	20	112	220	4,7
200	10	10	22	154	275	7,8
250	10	10	26	200	330	13
300	10	10	32	240	380	19
350	10	10	38	270	440	35
400	10	10	44	310	490	52
450	10	10	50	360	540	64
500	10	10	56	405	595	75