

STEEL FORGED UNION SW ANSI B16.11

Материал steel A105

Налягане 3000 LBS

Размер 1/2" - 2"

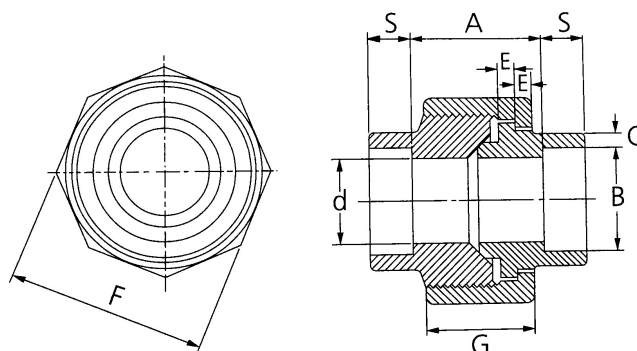
APPLICATIONS

A Union is a connecting piece that enables connection of equal diameters pipes where the connection is dismantable. It connects two pipes of the same or different diameters. We differentiate between equal and reduced sockets.

VARIANTS

Other materials:

- Ferritic
- Austenitic steels



Material		
No.	Part	Material
1	Union	Carbon steel A105

Specifications	
Standart:	ANSI B16.11
Pressure Rating:	3000 LBS

Dn	Nom. dn dia.	S (min.) mm	A (min.) mm	B (min.) mm	C (min.) mm	D (sch.40 pipes) mm	E (min.) mm	F (min.) mm	G (min.) mm	Kg/pcs
15	1/2"	10,0	18	21,8	4,1	15,5	4,0	41	21	0,38
20	3/4"	13,0	20	27,4	4,3	21,0	4,8	50	24	0,46
25	1"	13,0	26	34,1	5,0	26,5	4,8	60	25	0,70
32	1 1/4"	13,0	28	42,9	5,3	35,0	5,6	70	29	1,20
40	1 1/2"	13,0	30	49,0	5,6	40,5	5,6	78	30	1,50
50	2"	16,0	36	61,0	6,1	52,0	6,4	95	37	2,58