

STORM VALVE CAST STEEL ANGLE FLANGED JIS F3060 10K

Материал steel 1.0619

Налягане 10 K

Размер DN-50-150

APPLICATIONS

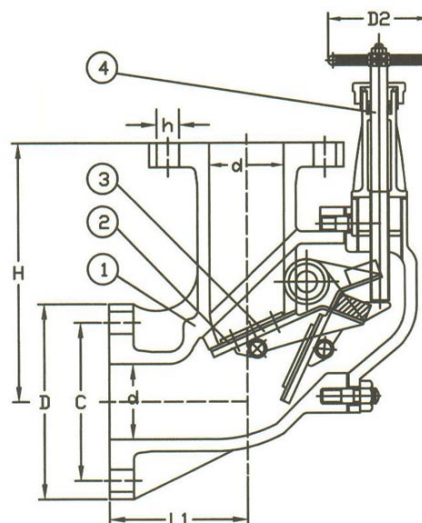
Discharge of sewage water. For vertical installation.

VARIANTS

Other dimensions on request.

MEDIA

Seawater and freshwater



No.	Parts	Material
1	Body	Body - Cast Steel - 1.0619
2	Seat	Rubber NBR
3	Disc	Bronze GR5
4	Pin	Stainless steel 1.4301

Specifications

Standart:	JIS F7400
Flange standard:	JIS B2220 10K
Bonnet connection:	Bolted
Execution:	Angle
Connection type:	Flanged
Operation:	Handwheel
Actuation:	Multiturn

Dn	Pressure rating	Connection	H	L1	D	C	øh x holes	D2	Weight (kg)
50	10 K	10 K	170	90	155	120	4 x 19	100	13
65	10 K	10 K	200	110	175	140	4 x 19	100	19
80	10 K	10 K	220	120	185	150	8 x 19	125	23.8
100	10 K	10 K	250	130	210	175	8 x 19	125	34.5

STORM VALVE CAST STEEL ANGLE FLANGED
JIS F3060 10K

Материал steel 1.0619

Налягане 10 K

Размер DN-50-150

Dn	Pressure rating	Connection	H	L1	D	C	øh x holes	D2	Weight (kg)
125	10 K	10 K	270	150	250	210	8 x 23	125	50
150	10 K	10 K	310	170	280	240	8 x 23	125	67