

STORZ CAP"THREADED" FOR FIRE FIGHTING BRONZE VALVE DIN PN 16

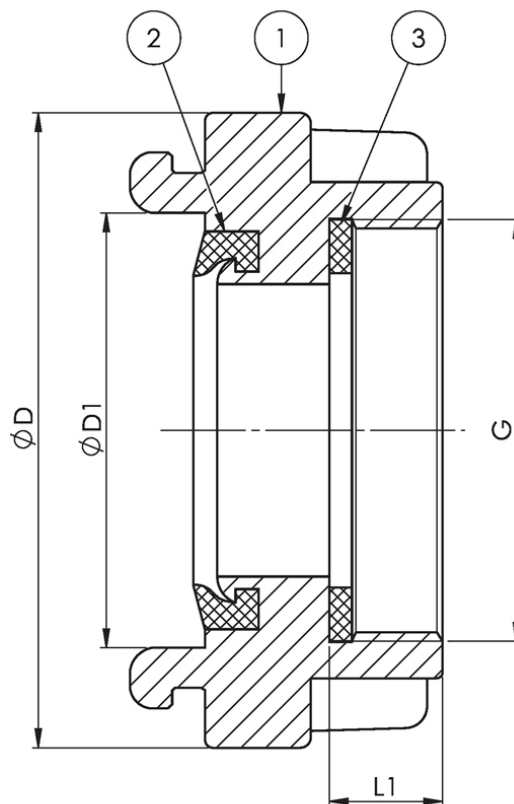
Материал bronze CC491K; DIN RG5

Налягане PN 16

Размер G 1" - 4"

Media
Sea water and fresh water

APPLICATION
For fire fighting systems.



| No. | Part | Material |
|-----|----------|---------------------|
| 1 | Coupling | Bronze CC491K (RG5) |
| 2 | Sealing | NBR |
| 3 | Sealing | NBR |

| Specifications | |
|----------------|-----------------|
| Standart: | DIN |
| Coupling type: | Storz |
| Connection: | Threaded female |

| G | D | D1 | L1 | Type | Kg |
|----------|----|----|----|------|-----|
| G 1" | 55 | 31 | 17 | D-25 | 0.2 |
| G 1" | 98 | 66 | 17 | C-52 | 0.7 |
| G 1 1/4" | 98 | 66 | 17 | C-52 | 0.7 |

**STORZ CAP"THREADED" FOR FIRE FIGHTING
BRONZE VALVE DIN PN 16**

Материал bronze CC491K; DIN RG5

Налягане PN 16

Размер G 1" - 4"

| G | D | D1 | L1 | Type | Kg |
|----------|----------|-----------|-----------|-------------|-----------|
| G 1 1/2" | 98 | 66 | 19 | C-52 | 0.7 |
| G 2" | 98 | 66 | 19 | C-52 | 0.6 |
| G 2 1/2" | 98 | 66 | 21 | C-52 | 0.8 |
| G 2" | 118 | 81 | 19 | 65 | 1 |
| G 2 1/2" | 118 | 81 | 21 | 65 | 1 |
| G 2 1/2" | 126 | 89 | 21 | B-75 | 1.1 |
| G 4" | 155 | 115 | 23 | 100 | 1.8 |
| G 4" | 182 | 133 | 23 | A 100 | 3.2 |