

SUCTION STRAINER WITH CHECK VALVE DIN PN 16

Материал cast iron EN-JL1040; DIN GG25

Налягане PN 16

Размер DN 40 - 300

DESCRIPTION

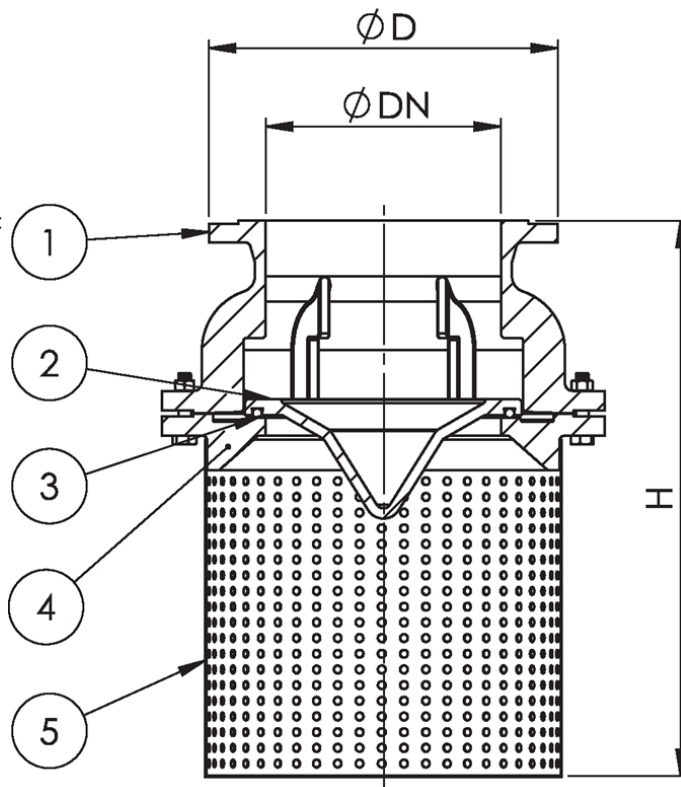
Foot valves is a check valve for suction purposes, equipped with a strainer and mounted in the end of a pipe

MEDIA

- Fuel oil, lubricating oil and flammable hydraulic oil. Cargo oil.
- Seawater and freshwater.

VARIANTS

Other materials on request



No.	Part	Material
1	Body	Cast iron EN-JL1040 (GG25)
2	Disc	Cast iron EN-JL1040 (GG25)
3	Disc ring	EPDM
4	Bonnet	Cast iron EN-JL1040 (GG25)
5	Basket	Galvanized steel

Specifications	
Standart:	DIN 3202 F1
Flange standard:	EN1092-2
Bonnet connection:	Bolted
Execution:	Straight
Connection type:	Flanged
Operation:	Non-return valve
Strainer perforation	5 x 5 mm
Tmax	90 °C

Max. working pressure (bar) at °c		
Dn	Connection	90°c
40 - 150	PN 16	10
200 - 300	PN 10	6

SUCTION STRAINER WITH CHECK VALVE DIN PN 16

Материал cast iron EN-JL1040; DIN GG25

Налягане PN 16

Размер DN 40 - 300

Dn	Pressure rating	Connection	H	D	P	N x d	Weight (kg)
40	10	16	175	150	110	4 x 18	7
50	10	16	195	165	125	4 x 18	8
65	10	16	230	185	145	4 x 18	10
80	10	16	255	200	160	8 x 18	14
100	10	16	290	220	180	8 x 18	21
125	10	16	340	250	210	8 x 18	26
150	10	16	390	285	240	8 x 22	44
200	6	10	530	340	295	8 x 22	72
250	6	10	620	395	350	12 x 22	100
300	6	10	700	445	400	12 x 22	160