

THERMOMETER - BIMETALLIC RADIAL AND AXIAL

Материал stainless steel / brass

Налягане (-20.0 - 300) °C

Размер G1/2"

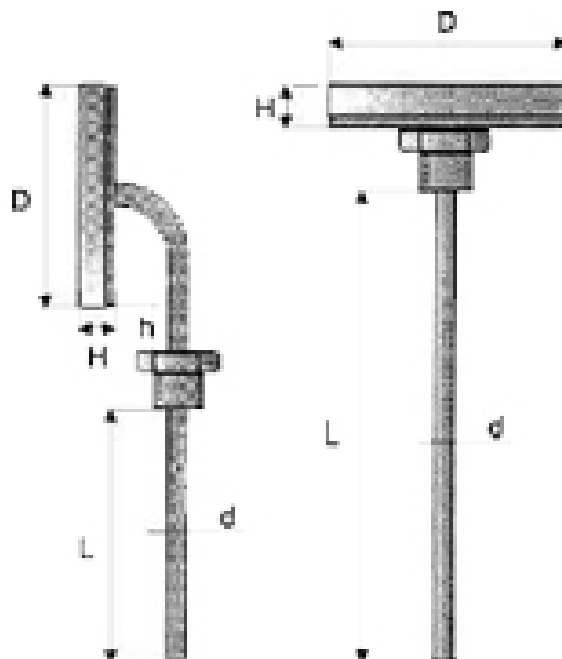
APPLICATIONS

To measure the temperature of different fluids and gases in the heating systems, climatic systems and other systems for heating air and fluids.

VARIANTS

Thermometer type:

- Straight
- Angle



No.	Part	Material
1	Body in contact with fluid	steel CrNi - steel
2	Plunged part	CrNi - steel
3	Nut	CrNi - steel brass

Specifications	
Standart:	DIN
Connection end:	1/2"
Size:[mm]	
D	60 80 100 160
H	St. body 19 ÷ body 14
L	0-1000*
d	10 12
h	20

Temperature range c°:			
-20÷50	0÷50	0÷100	0÷120

THERMOMETER - BIMETALLIC RADIAL AND AXIAL

Материал stainless steel / brass
 Налягане (-20.0 - 300) °C
 Размер G1/2"

Temperature range c°:			
0÷150	0÷200	0÷250	0÷300