

# THERMOMETER - VIBRATION RESISTANT STRAIGHT AND ANGLE

Материал stainless steel / brass

Налягане (-30.0 - 600) °C

Размер G1/2"

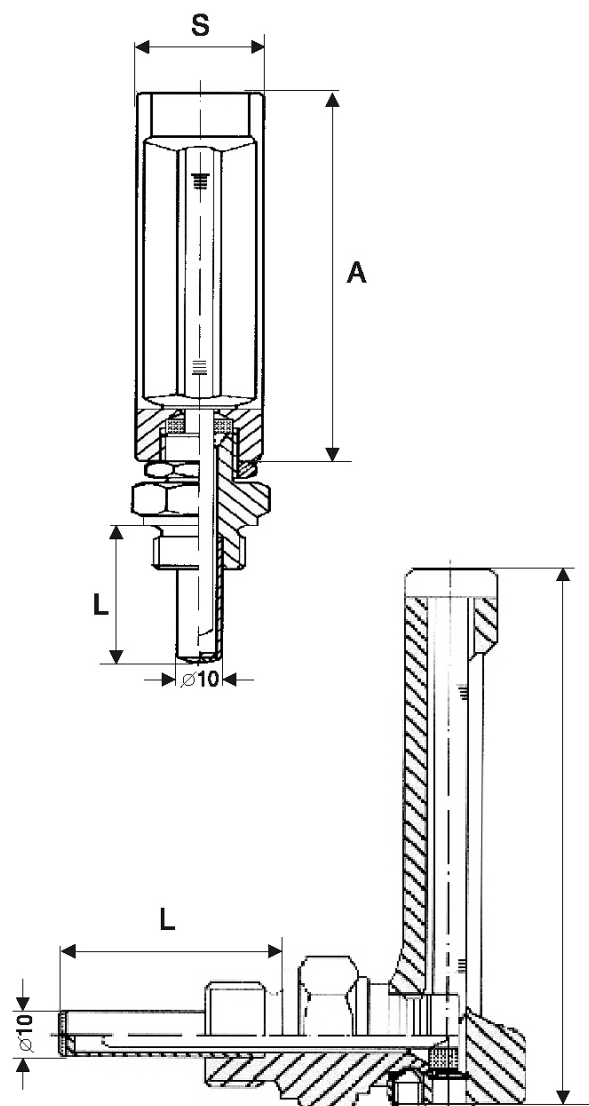
## APPLICATIONS

To measure the temperature of different fluids and gases.

## VARIANTS

Thermometer type: Straight type

Angle type



No.	Part	Material
1	Body	Aluminium, Polyamid
2	Parts in contacts with fluids (plunged part and fitting)	Brass, Steel, CrNi / steel

## Specifications

Standart: DIN

# THERMOMETER - VIBRATION RESISTANT STRAIGHT AND ANGLE

Материал stainless steel / brass

Налягане (-30.0 - 600) °C

Размер G1/2"

Specifications			
Connection end:	1/2", M20x1,5		
	3/4", M27x2,0		
Size: [mm]			
F	110	150	200
S	30	36	
L	50 75 100 150 200		

Size [mm]	Temperature ranges in °c									
F 145	-30÷50	0÷60	0÷100	0÷120	0÷160	0÷200				
F 200	-30÷50	0÷60	0÷100	0÷120	0÷160	0÷200	0÷300	0÷400	0÷500	0÷600
F 260	-30÷50	0÷60	0÷100	0÷120	0÷160	0÷200	0÷300	0÷400	0÷500	0÷600