

# THREADOLET / ASME B.31

Материал steel A105

Налягане 63 Bar

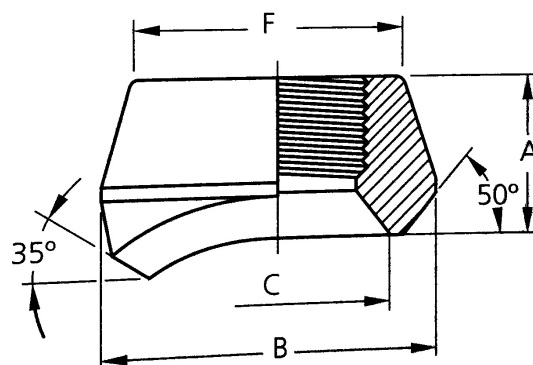
Размер 1/2" - 1"

### APPLICATIONS

Threadolets are pipe branch weld connections with dismantable thread connection.

### VARIANTS

Other materials: Ferritic and Austenitic steels



No.	Part	Material
1	Threadolet	Carbon steel A105

Specifications	
Standart:	ASME B.31

Run pipe	Outlet	A mm	B mm	C mm	F mm
2" 1 1/2"	1/2"				
3" - 8"	1/2"	DIMENSIONS AT REQUEST			
2"	1"				
4" - 5"	1"				