

# THREE-WAY STAINLESS STEEL BALL VALVE THREADED • DIN PN 63

Материал stainless steel 1.4408

Налягане PN 63

Размер G 1/4" - 2"

### APPLICATION

Three way ball valve of either L or T type. Full bore.

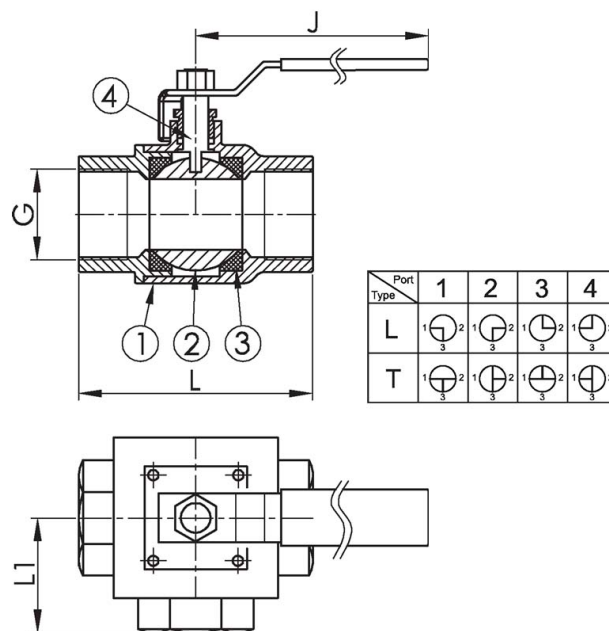
Corrosive fluids. Fuel oil, lubricating oil and flammable hydraulic oil. Cargo oil. Air. Gas. Non-flammable hydraulic fluid. Boiler feedwater, condensate. Seawater and freshwater.

### VARIANTS

Other materials on request.

### OPTIONS

T and L port; Relief hole



| No. | Part               | Material                         | Specifications         |                 |
|-----|--------------------|----------------------------------|------------------------|-----------------|
| 1   | Body               | Stainless steel 1.4408 (AISI316) | Standart:              | DIN             |
| 2   | Ball (relief hole) | Stainless steel 1.4408 (AISI316) | Connection standard:   | ISO 228-1. BSPP |
| 3   | Seat               | PTFE                             | Face to face standard: | EN558, Series 1 |
| 4   | Stem               | Stainless steel 1.4401 (AISI316) | Execution:             | Straight        |
|     |                    |                                  | Connection type:       | Screwed         |
|     |                    |                                  | Operation:             | Lever           |
|     |                    |                                  | Actuation:             | quarterturn     |
|     |                    |                                  | Tmax                   | 180 °C          |

| L-port |                 |            |       |      |     |             |
|--------|-----------------|------------|-------|------|-----|-------------|
| Dn     | Pressure rating | Connection | L     | H    | J   | Weight (kg) |
| 8      | 63              | G 1/4"     | 77,8  | 38,9 | 147 | 0,9         |
| 10     | 63              | G 3/8"     | 77,8  | 38,9 | 147 | 0,9         |
| 15     | 63              | G 1/2"     | 77,8  | 38,9 | 147 | 0,9         |
| 20     | 63              | G 3/4"     | 85,5  | 42,8 | 191 | 1,4         |
| 25     | 63              | G 1"       | 106,1 | 53,1 | 191 | 1,9         |
| 32     | 63              | G 1 1/4"   | 123,1 | 61,6 | 230 | 3,1         |

**THREE-WAY STAINLESS STEEL BALL VALVE  
THREADED • DIN PN 63**

Материал stainless steel 1.4408

Налягане PN 63

Размер G 1/4" - 2"

| L-port                |                 |            |       |      |     |             |
|-----------------------|-----------------|------------|-------|------|-----|-------------|
| Dn                    | Pressure rating | Connection | L     | H    | J   | Weight (kg) |
| 40                    | 63              | G 1 1/2"   | 131,2 | 65,6 | 245 | 4,5         |
| 50                    | 63              | G 2"       | 159,4 | 797  | 245 | 7,5         |
| DN65 - n x d - 4 x 18 |                 |            |       |      |     |             |